

Top Mount systems

Name & reference	Image	Single version	Advantages	Specifications	Options
Standard Top Mount CSY001		Single version	<ul style="list-style-type: none">→ No loss of swimming surface→ Easy to maintain and install	NOT compatible with solar covers	15 m
Top Mount for Casing CSY002		Single version	<ul style="list-style-type: none">→ Sitting area→ Casing can be chosen	The casing is not supplied by Covrex®, only the structure to support the pool builders' own casing is supplied.	11 m
Top Mount with Casing CSY003		Single version	<ul style="list-style-type: none">→ Sitting area→ Casing with composite decking	The casing is supplied by Covrex® in high quality composite wood	11 m



CSY001 : **Standard Top Mount**



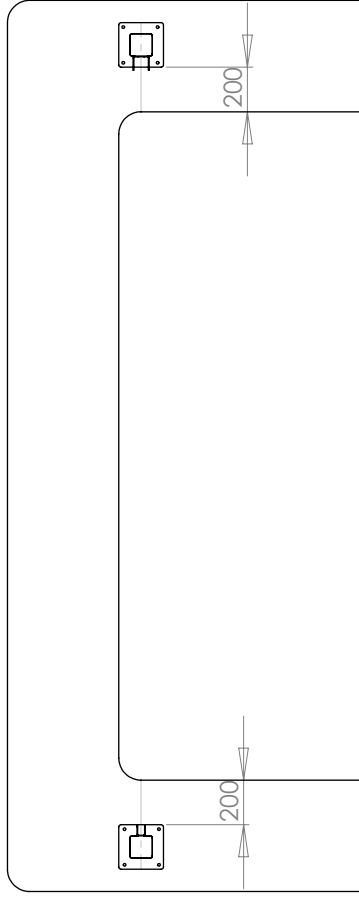
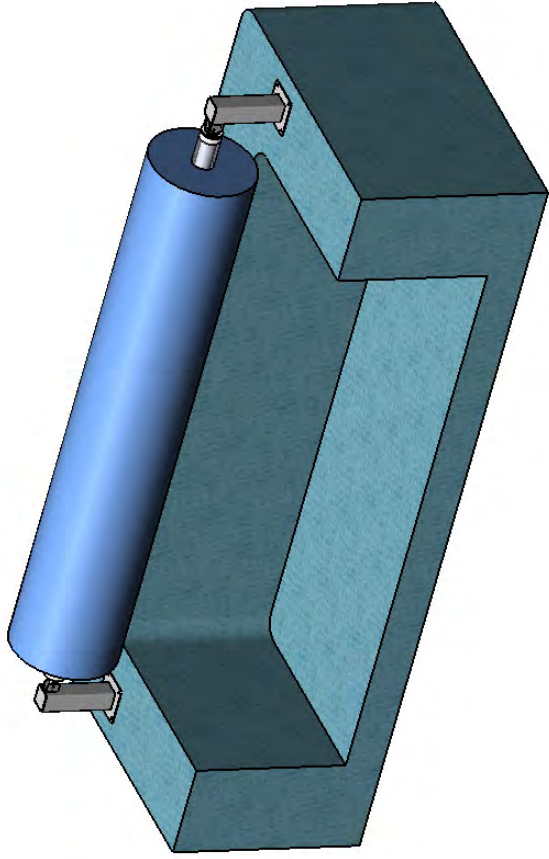
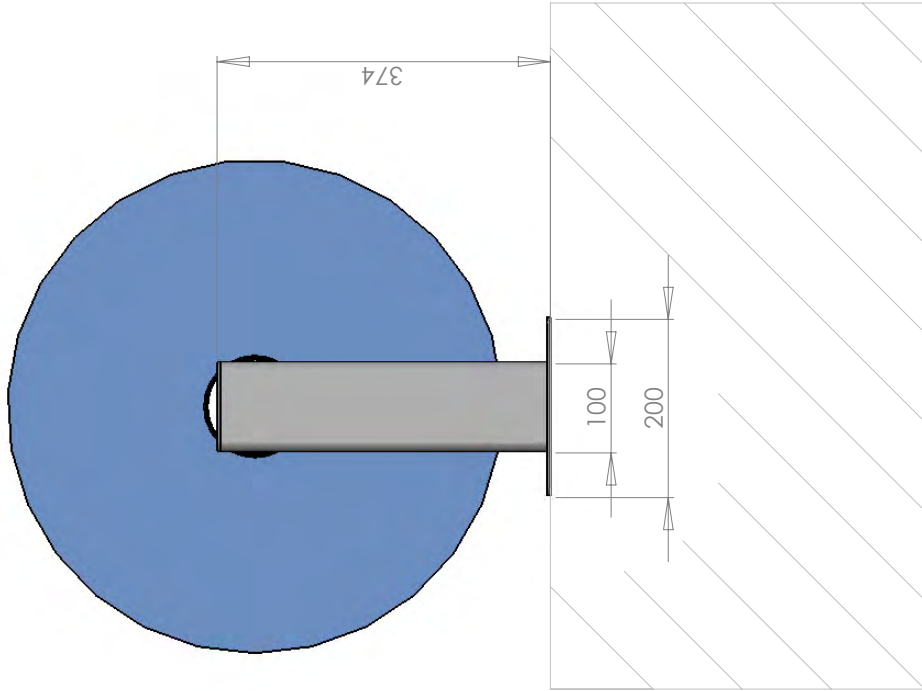
CSY002 : **Top Mount for Casing**



CSY003 : **Top Mount with Casing**

Max. pool length
 Max. badlengte
 Longueur max. piscine

15 m



REF.	CSY001
NL	Standaard Opbouw
F	Hors Sol Standard
UK	Standard Top Mount
D	Standard Oberflurssystem

POOL PROTECTION
COVREX
 www.covrex.com info@covrex.com
 Tel : +32 16 55 37 70 Fax: +32 16 62 25 40
 Doc. version : TD.CSY001.2.1
 Date : 01/01/2015

TOLERANCES: LINEAR: +/- 2 % ANGULAR: +/- 2 % DO NOT SCALE DRAWING

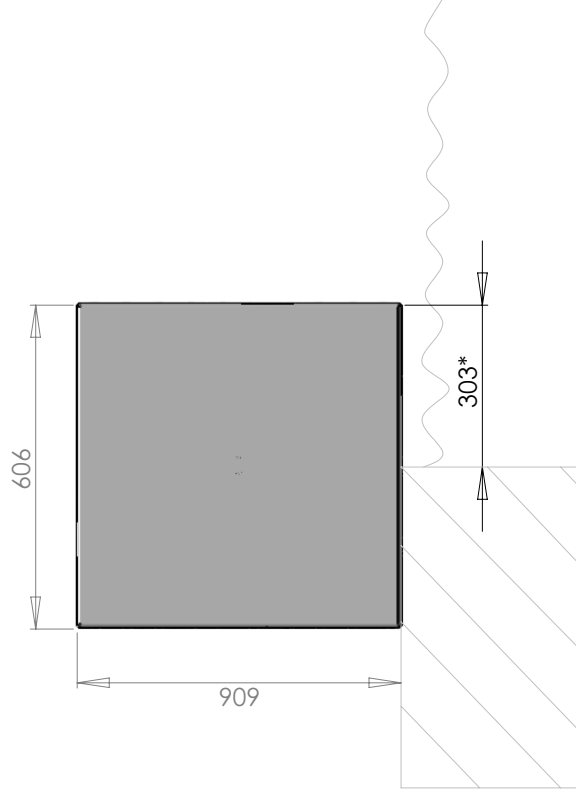
DIMENSIONS IN MILLIMETERS

SHEET 1 OF 2

Drawing by Kantor Markka

Max. pool length
 Max. badlengte
 Longueur max. piscine

11 m



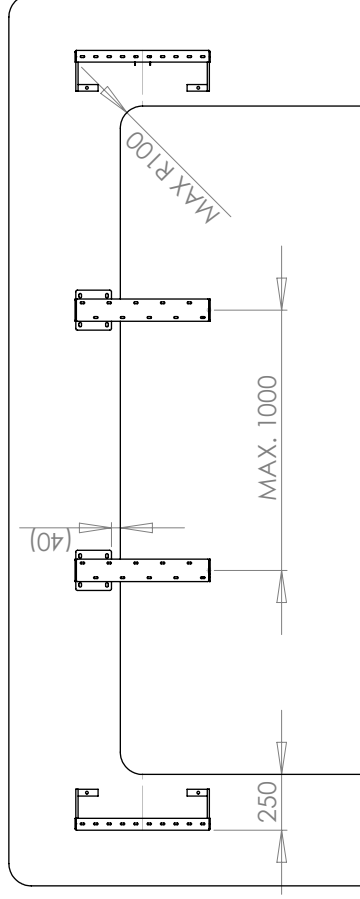
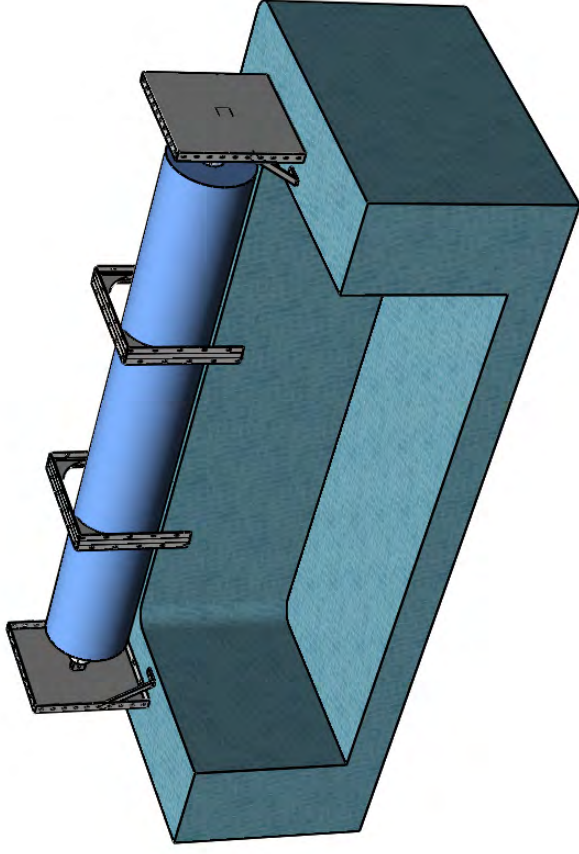
*** NOTE:**

Dimension only valid if straight pool corners (90°)

Afmeting enkel geldig indien de hoeken van het zwembad recht zijn (90°)

Dimension seulement valides en cas de coins de piscine droits (90°)

Mass nur gültig wenn die Winkel gerade sind (90°)

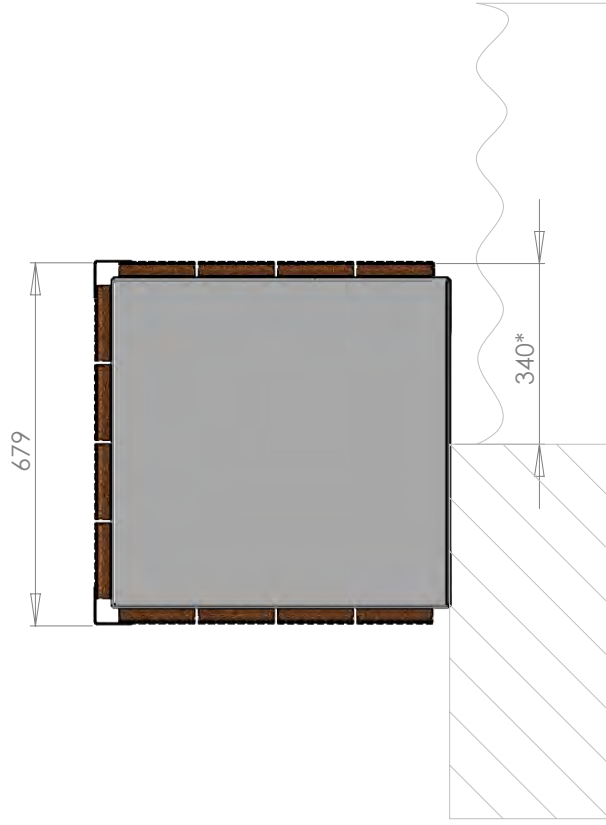


REF.	CSY002
NL	Opbouwkast
F	Caisson Hors Sol
UK	Top Mount for Casing
D	Oberflurssystem für Verkleidung

TOLERANCES: LINEAR: +/- 2 % ANGULAR: +/- 2 % DO NOT SCALE DRAWING
 DIMENSIONS IN MILLIMETERS
 www.covrex.com info@covrex.com
 Tel: +32 16 55 37 70 Fax: +32 16 62 25 40
 Doc. version: TD.CSY002.1.4
 Date: 14/01/2016

POOL PROTECTION
COVREX

Max. pool length Max. badlengte Longueur max. piscine	11 m
---	------



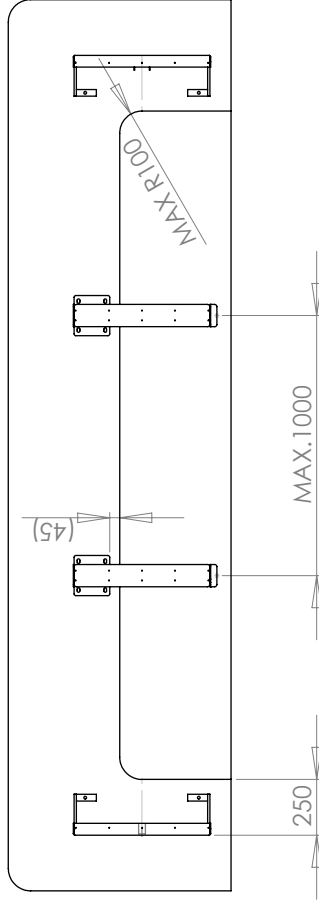
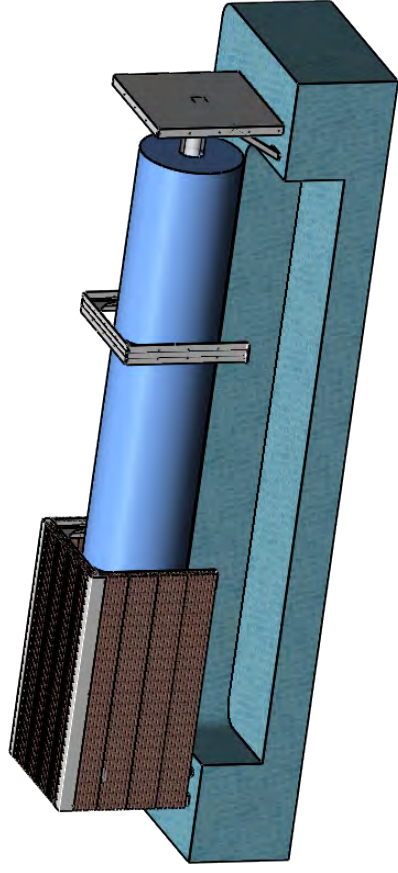
*** NOTE:**

Dimension only valid if straight pool corners (90°)

Afmeting enkel geldig indien de hoeken van het zwembad recht zijn (90°)

Dimension seulement valides en cas de coins de piscine droits (90°)

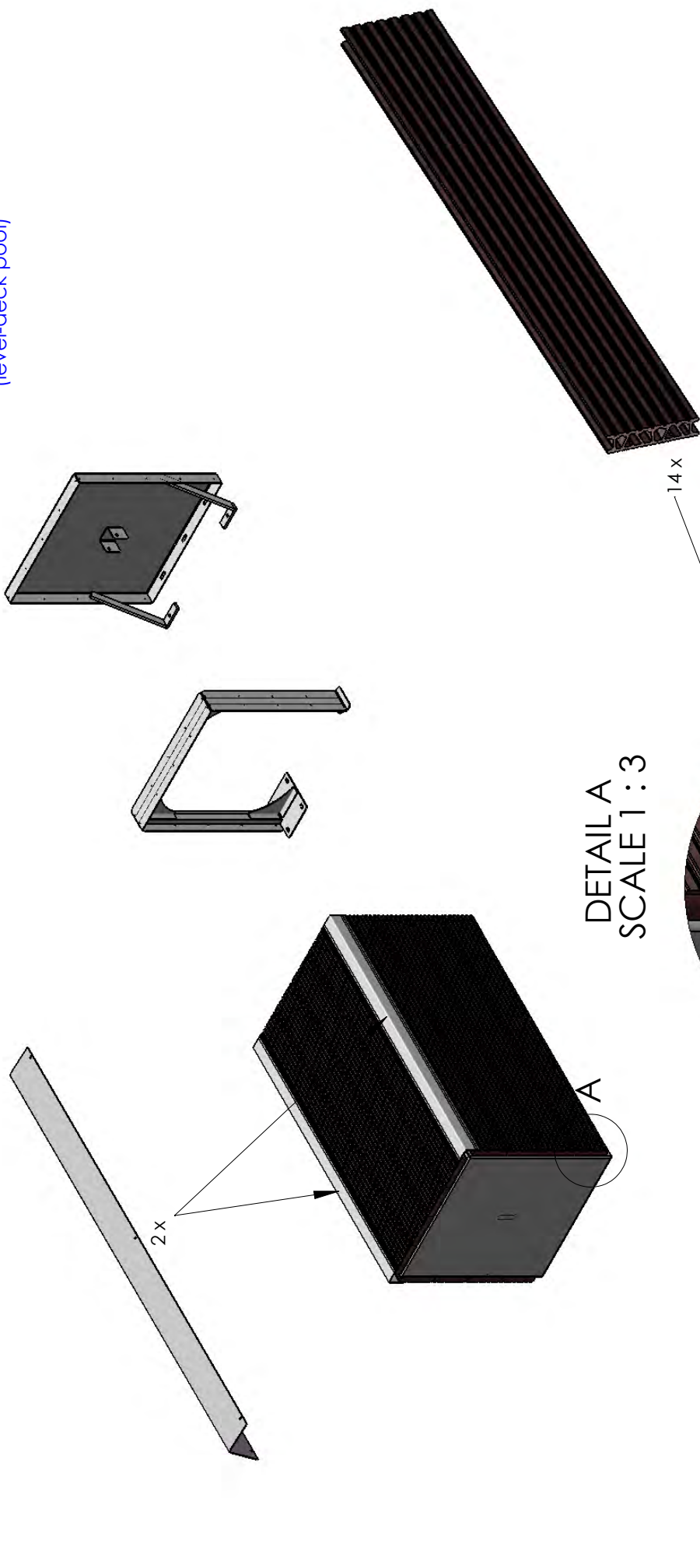
Mass nur gültig wenn die Winkel gerade sind (90°)



REF.	CSY003
NL	Opbouwkast Relazzo
F	Caisson Hors Sol Relazzo
UK	Top Mount Case with Relazzo
D	Oberflurssystem mit Relazzo Verkleidung

	
POOL PROTECTION COVREX	
www.covrex.com Tel : +32 16 55 37 70	info@covrex.com Fax: +32 16 62 25 40
Doc. version :	TD.CSY003.1.4
Date :	15/01/2016

NOTE:
slight differences if mirror pool
(level-deck pool)

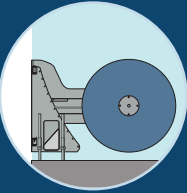
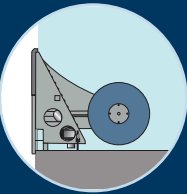
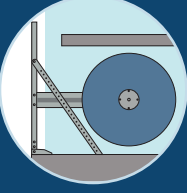
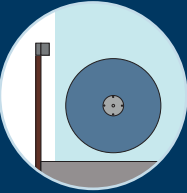


DETAIL A
SCALE 1 : 3

REF.	CSY003
NL	Opbouwkast Relazzo
F	Caisson Hors Sol Relazzo
UK	Top Mount Case with Relazzo
D	Oberflursystem mit Relazzo Verkleidung

POOL PROTECTION	
COVREX	
www.covrex.com	info@covrex.com
Tel : +32 16 55 37 70	Fax: +32 16 62 25 40
Doc. version :	TD.CSY003.1.4
Date :	01/01/2015
DIMENSIONS IN MILLIMETERS	
SHEET 2 OF 3	

Terrace systems

Name & reference	Variants	Advantages	Specifications	Options
Underwatermount CSY005-006	 <p>CSY005: Underwatermount standard (50cm) CSY006: Underwatermount wide (82-92cm)</p>	<ul style="list-style-type: none"> → Takes little water surface (50cm for a pool of 12m) → No drillings in the wall → Possibility to combine with high water skimmers 	12m (CSY005) / 16m (CSY006) no yes (max R50 mm) yes*	yes no yes (uncut) yes
Overflowskimmer CSY008	 <p>CSY008.1: Overflowgutter over the entire width CSY008.2: Double adjustable highwaterskimmers</p>	<ul style="list-style-type: none"> → Very high water level → Intergrated skimmers → Wide skimming surface → No drillings in the wall → Quick installation 	16m no no yes*	yes no yes yes
Adjustable Triangles CSY014	 <p>Single version</p>	<ul style="list-style-type: none"> → Can be covered with stones → Fits almost any coverpit 	24m yes yes welded liner only*	no yes no no
Single Beam CSY017	 <p>Single version</p>	<ul style="list-style-type: none"> → Quick production and installation → Cost efficient 	unlimited yes yes welded liner only*	no yes no no

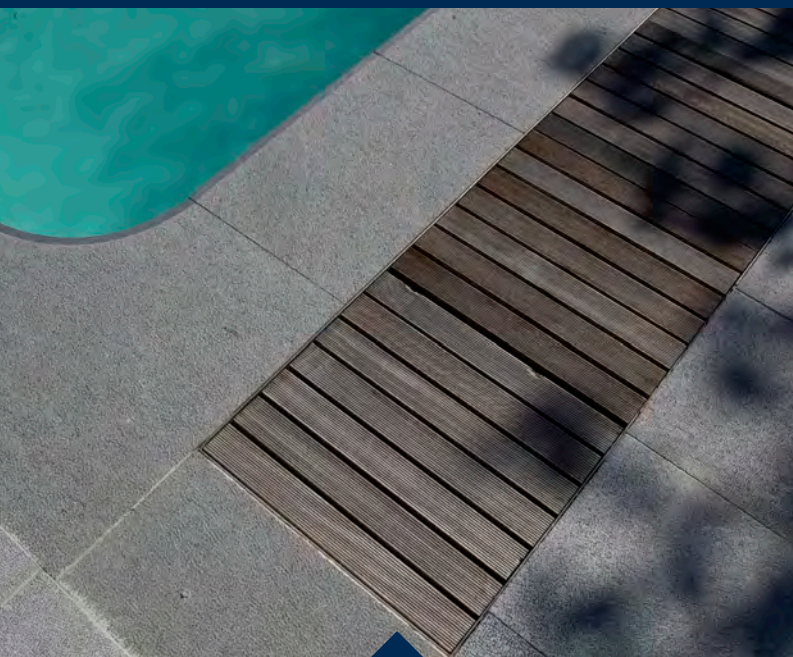
* please advise us if you install the cover on a welded liner pool when filling in your order form



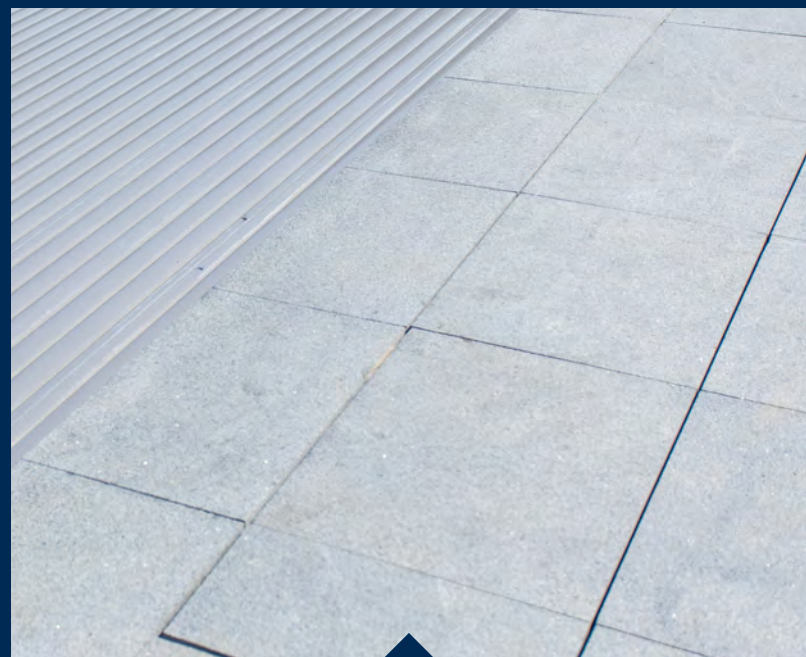
CSY005 : **Underwatermount**



CSY006 : **Underwatermount**



CSY008 : **Overflowskimmer**



CSY008 : **Overflowskimmer**



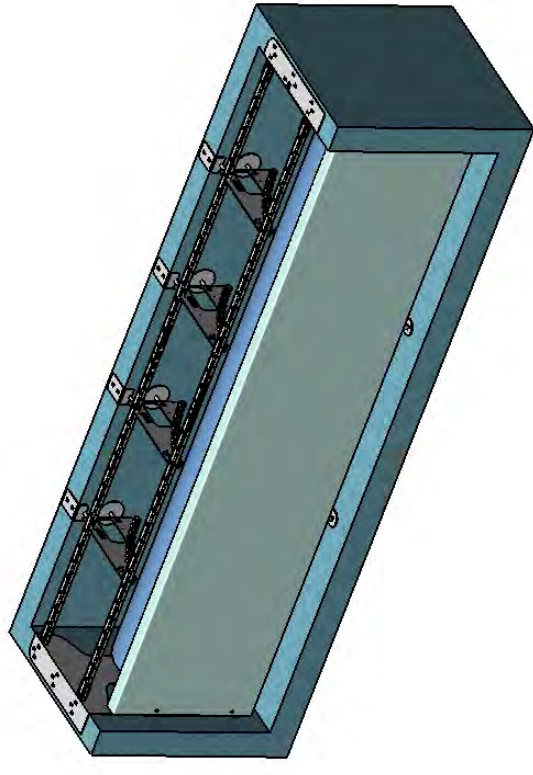
CSY014 : **Adjustable Triangles**



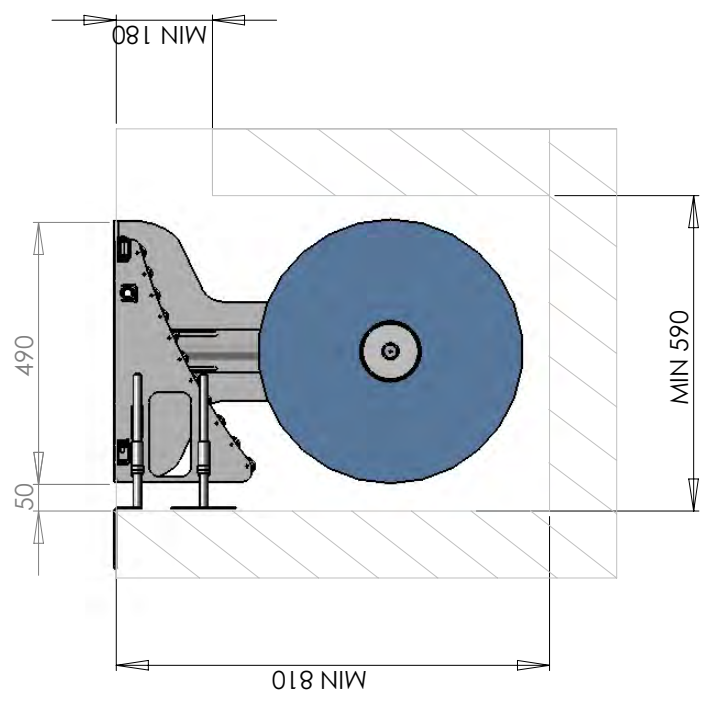
CSY017 : **Single Beam**

Max. pool length
 Max. badlengte
 Longueur max. piscine

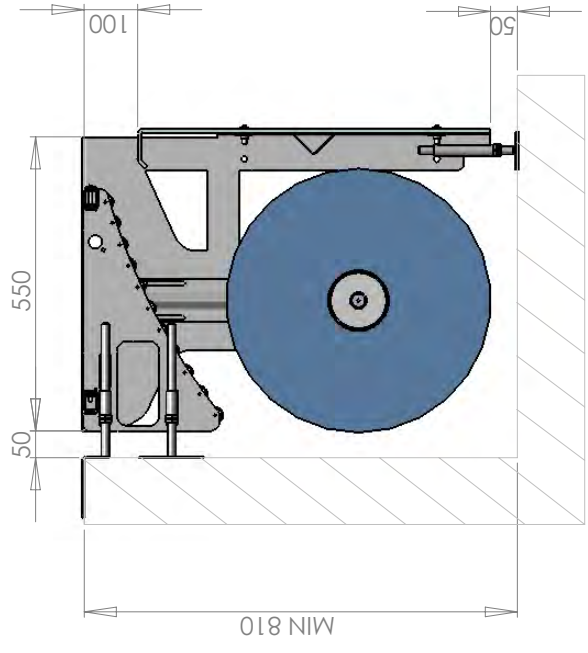
12 m



CSY005:
 Gemetste muur / mur maçonné / concrete wall



CSY005.2:
 Polyester wand / paroi polyester / polyester wall



REF.	CSY005 + CSY005.2
NL	Inbouw Standaard
F	Immergé Standaard
UK	Standard Underwater Mount
D	Standard Unterflursystem

POOL PROTECTION
COVREX

www.covrex.com info@covrex.com
 Tel : +32 16 55 37 70 Fax: +32 16 62 25 40
 Doc. version : TD.CSY005 + 005.2
 Date : 01/01/2015

DETAIL D
SCALE 1:3

DETAIL C
SCALE 1:2

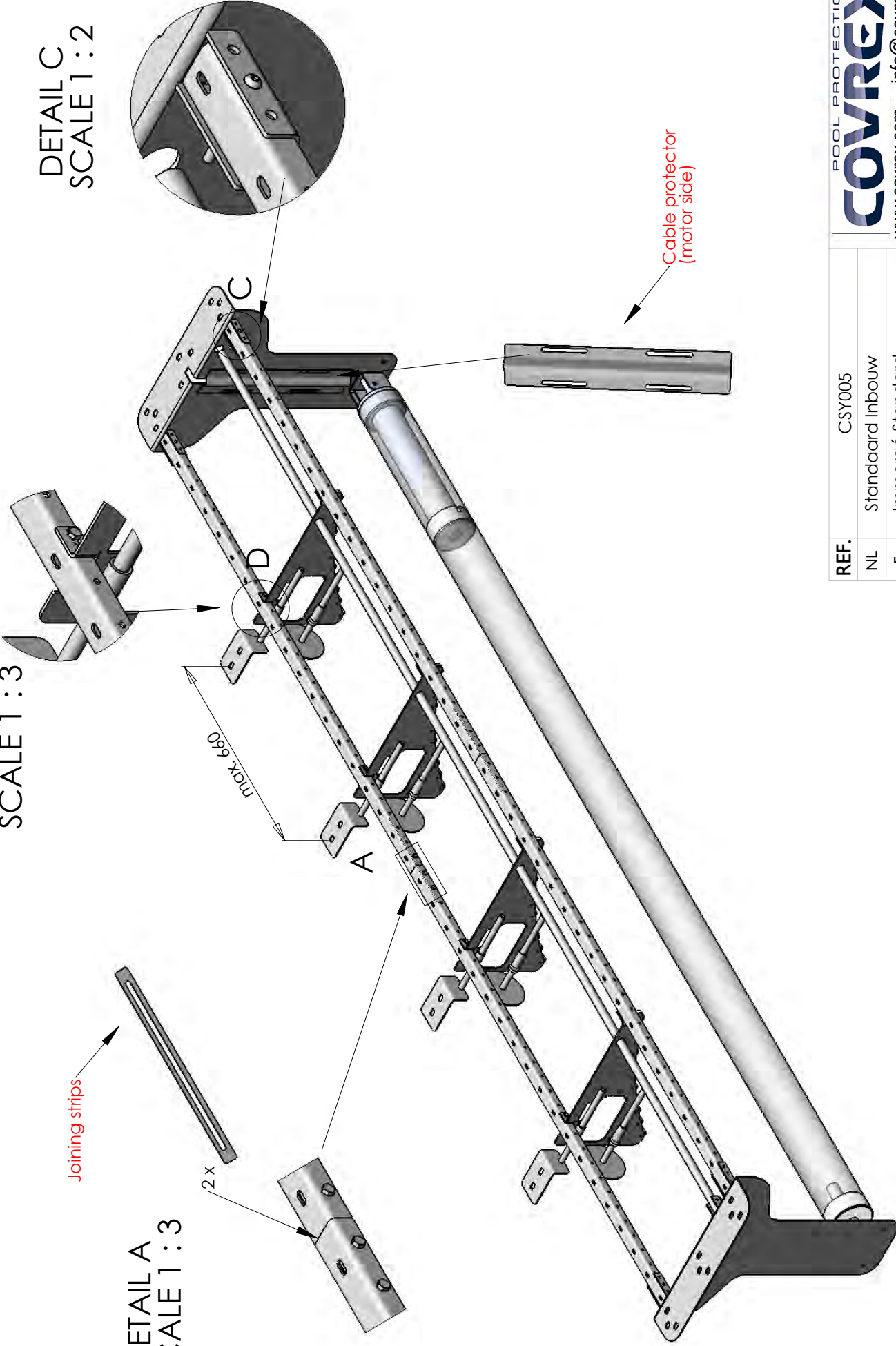
Joining strips

DETAIL A
SCALE 1:3

2 x

max. 60

Cable protector
(motor side)

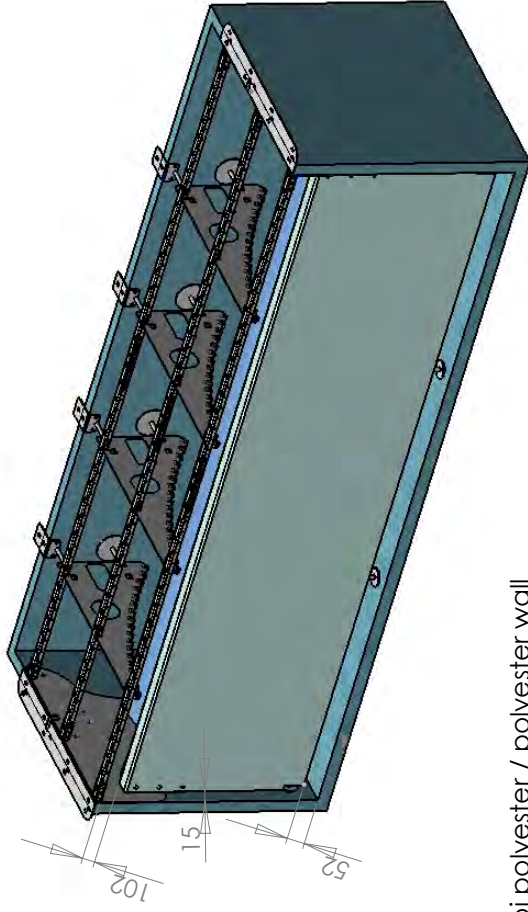


REF.	CSY005
NL	Standaard Inbouw
F	Immergé Standard
UK	Standard Underwater Mount
D	Standard Unterflursystem

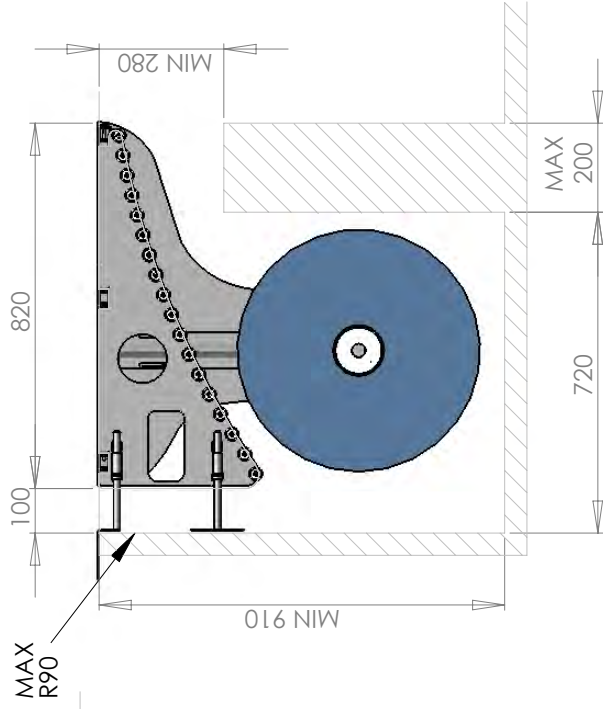
TOLERANCES:	LINEAR: +/- 2 %	ANGULAR: +/- 2 %	DO NOT SCALE DRAWING
DIMENSIONS IN MILLIMETERS			

Max. pool length
 Max. badlengte
 Longueur max. piscine

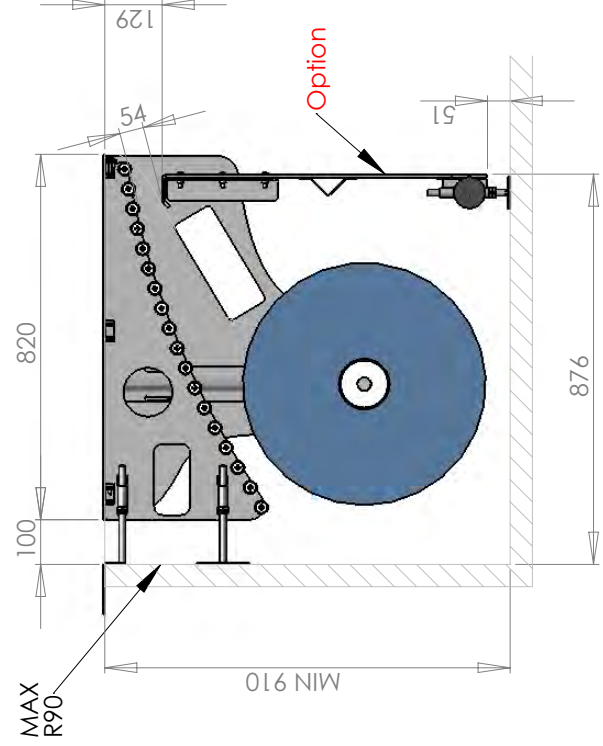
14 m



CSY006:
 Gemetsje muur / mur maçonné / concrete wall



CSY006.2:
 Polyester wand / paroi polyester / polyester wall



REF.	CSY006 + 006.2
NL	Verlengde Inbouw
F	Immergé Rallonge
UK	Underwater Mount Wide
D	Unterflursystem Breit

POOL PROTECTION
COVREX
 www.covrex.com info@covrex.com
 Tel : +32 16 55 37 70 Fax: +32 16 62 25 40
 Doc. version : TD.CSY006 + 006.2
 Date : 01/01/2015

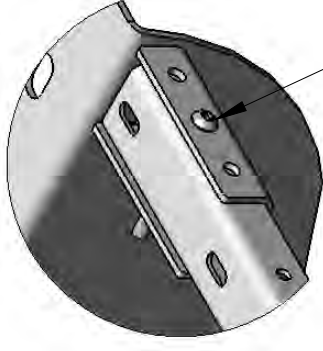
TOLERANCES: LINEAR: +1,2 % ANGULAR: +1,2 % DO NOT SCALE DRAWING

DIMENSIONS IN MILLIMETERS

SHEET 1 OF 2

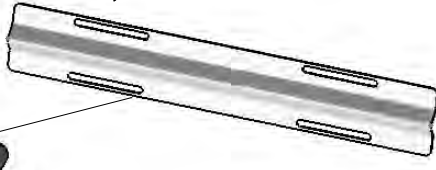
Drawing by Kantor Markta

DETAIL C
SCALE 1:2

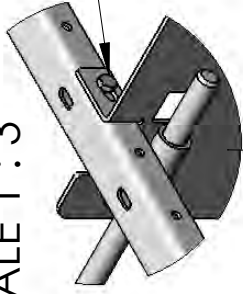


Fixing with screw M6

Cable protector
(motor side)

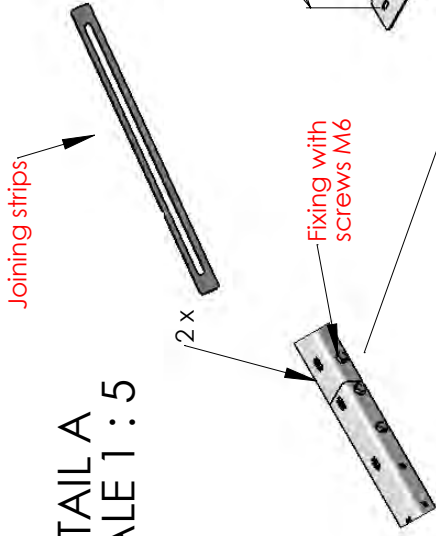


DETAIL D
SCALE 1:3



Fixing with screw M6

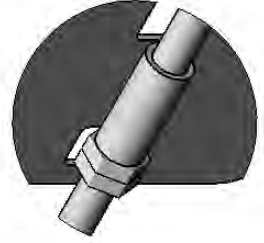
DETAIL A
SCALE 1:5



Joining strips

2 x

DETAIL B
SCALE 1:2



MAX 600

80
115

REF.	CSY006 + 006.2
NL	Verlengde Inbouw
F	Immergé Rallongé
UK	Underwater Mount Wide
D	Unterflursystem Breit

POOL PROTECTION	
COVREX	
www.covrex.com	info@covrex.com
Tel : +32 16 55 37 70	Fax: +32 16 62 25 40
Doc. version :	TD.CSY006 + 006.2
Date :	01/01/2015

TOLERANCES: LINEAR: +/1.2 % ANGULAR: +/1.2 % DO NOT SCALE DRAWING

DIMENSIONS IN MILLIMETERS

SHEET 2 OF 2

Drawing by Kantor Markta

Max. pool length
Max. badlengte
Longueur max. piscine

15 m

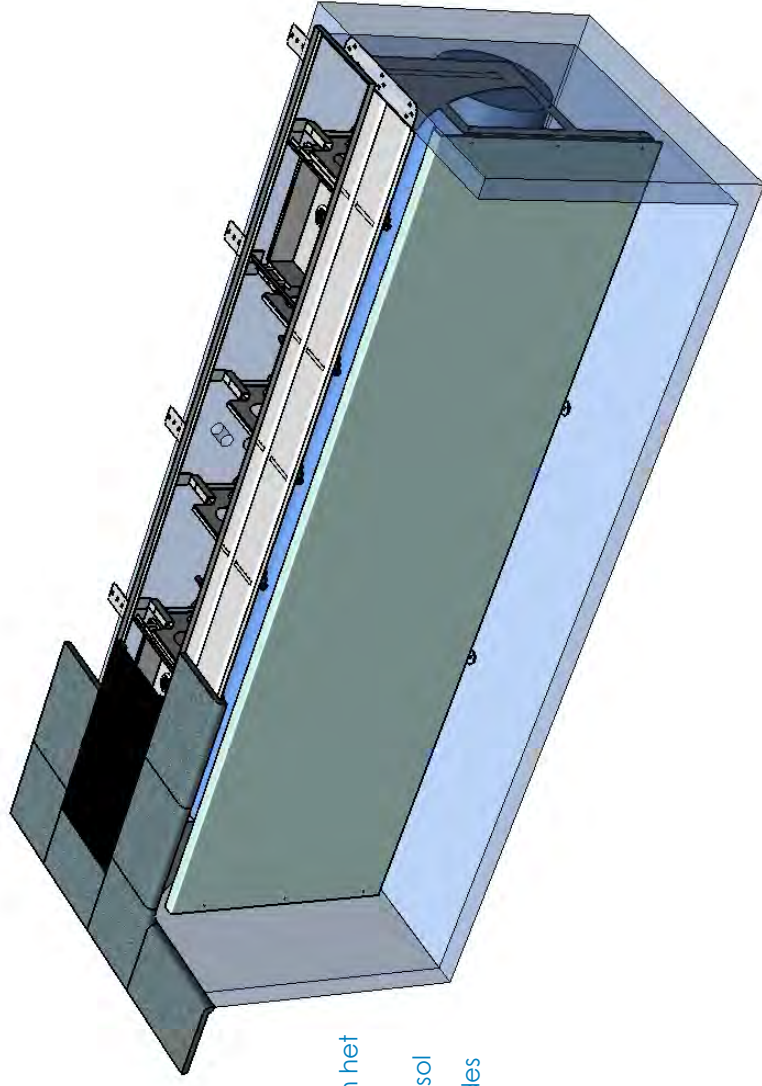
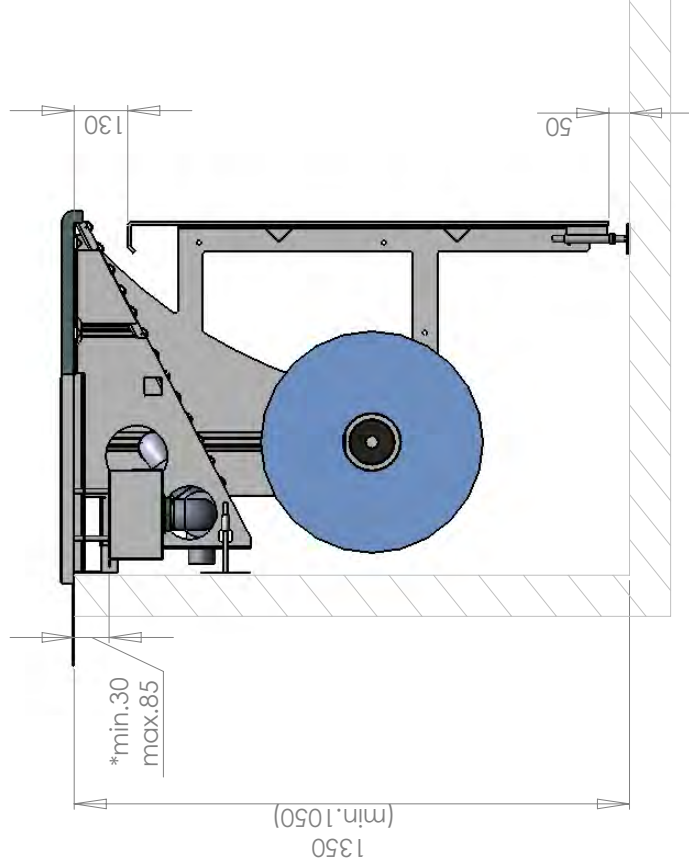
*** NOTE:**

Water level can be set between 30 and 85 mm of the ground level

Het waterniveau kan tussen 30 en 85 mm geregeld worden ten opzichte van het grondniveau

Le niveau d'eau peut être réglé entre 30 et 85 mm par rapport au niveau du sol

Der Wasserstand kann zwischen 30 und 85mm im Vergleich zu der Oberseite des Beckens geregelt werden



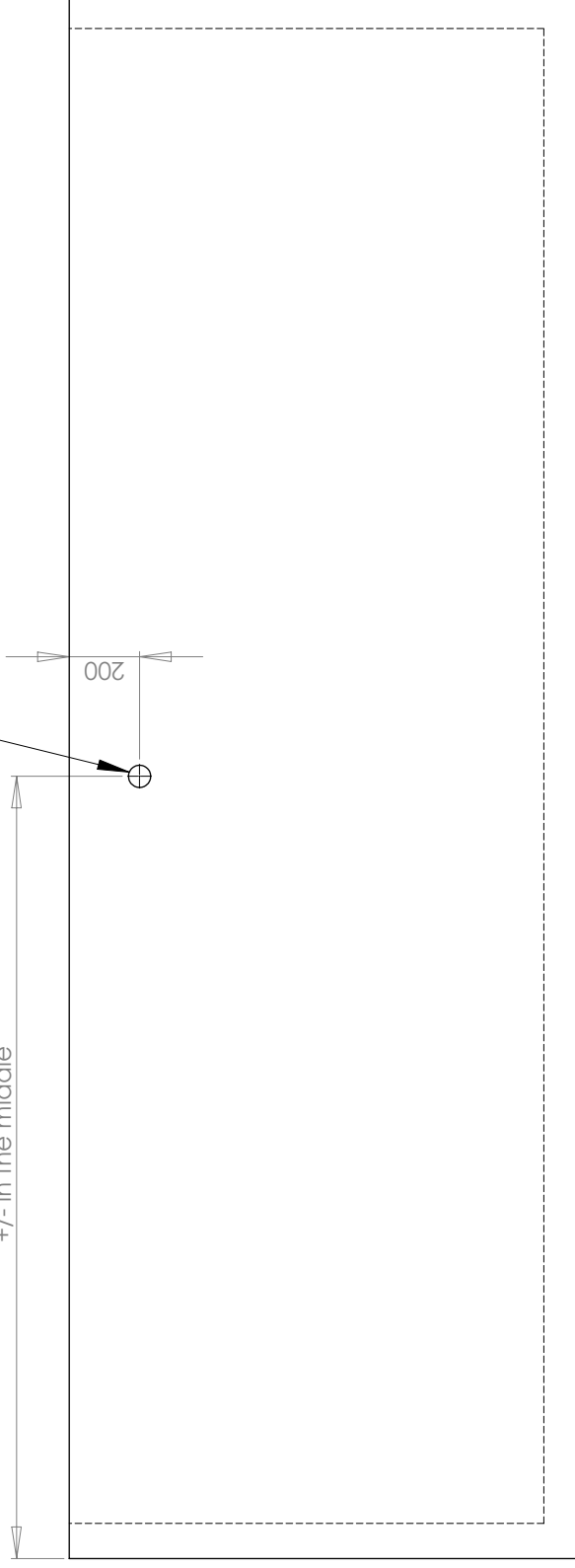
REF.	CSY008.4
NL	Overloopskimmer met tussenwand
F	Poutre de Débordement avec paroi
UK	Overflowskimmer With Separation Wall
D	Unterflursystem mit Überlaufinne + Trennungswand

POOL PROTECTION COVREX www.covrex.com info@covrex.com Tel : +32 16 55 37 70 Fax: +32 16 62 25 40 Doc. version : TD.CSY008.4.0 Date : 01/01/2014	
DIMENSIONS IN MILLIMETERS DO NOT SCALE DRAWING	

INSTALLATION GUIDE

Ø50 wall conduit

+/- in the middle

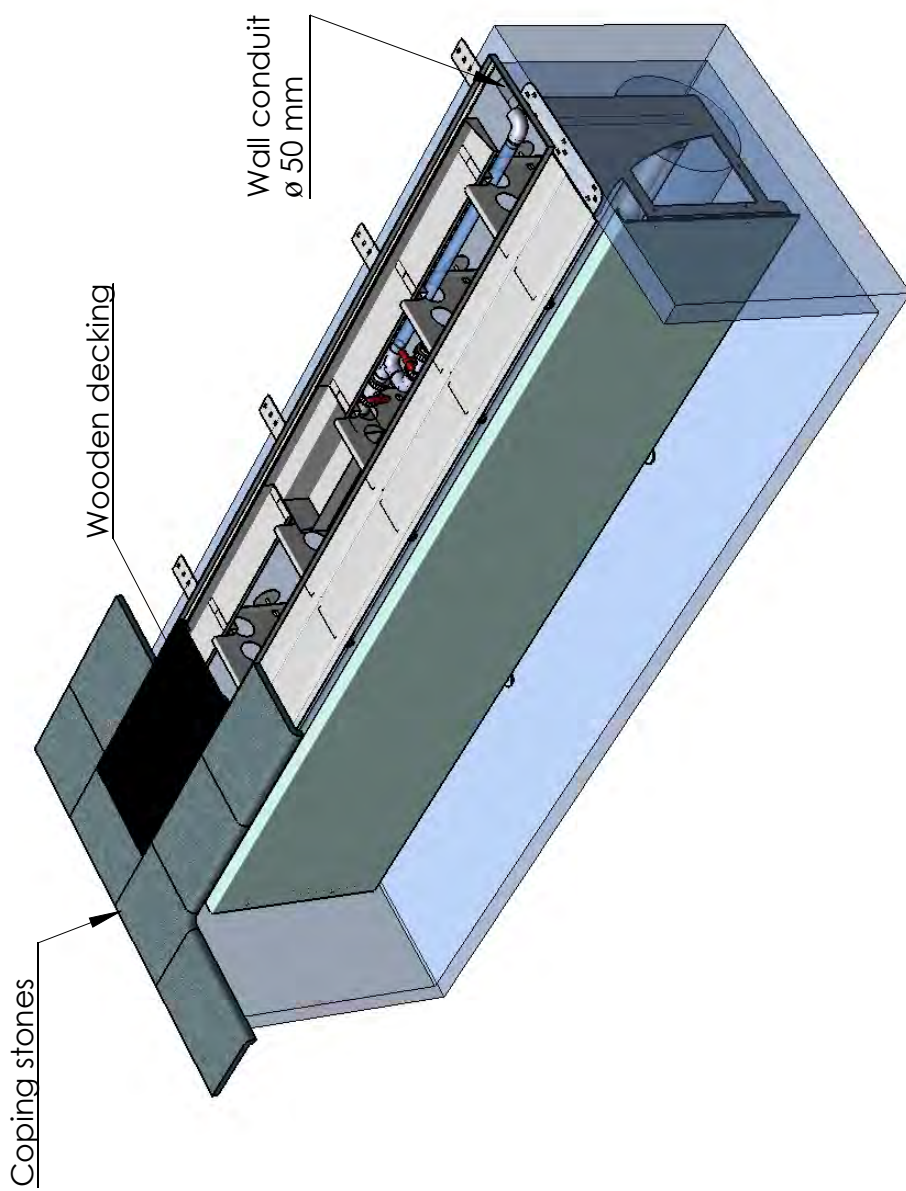
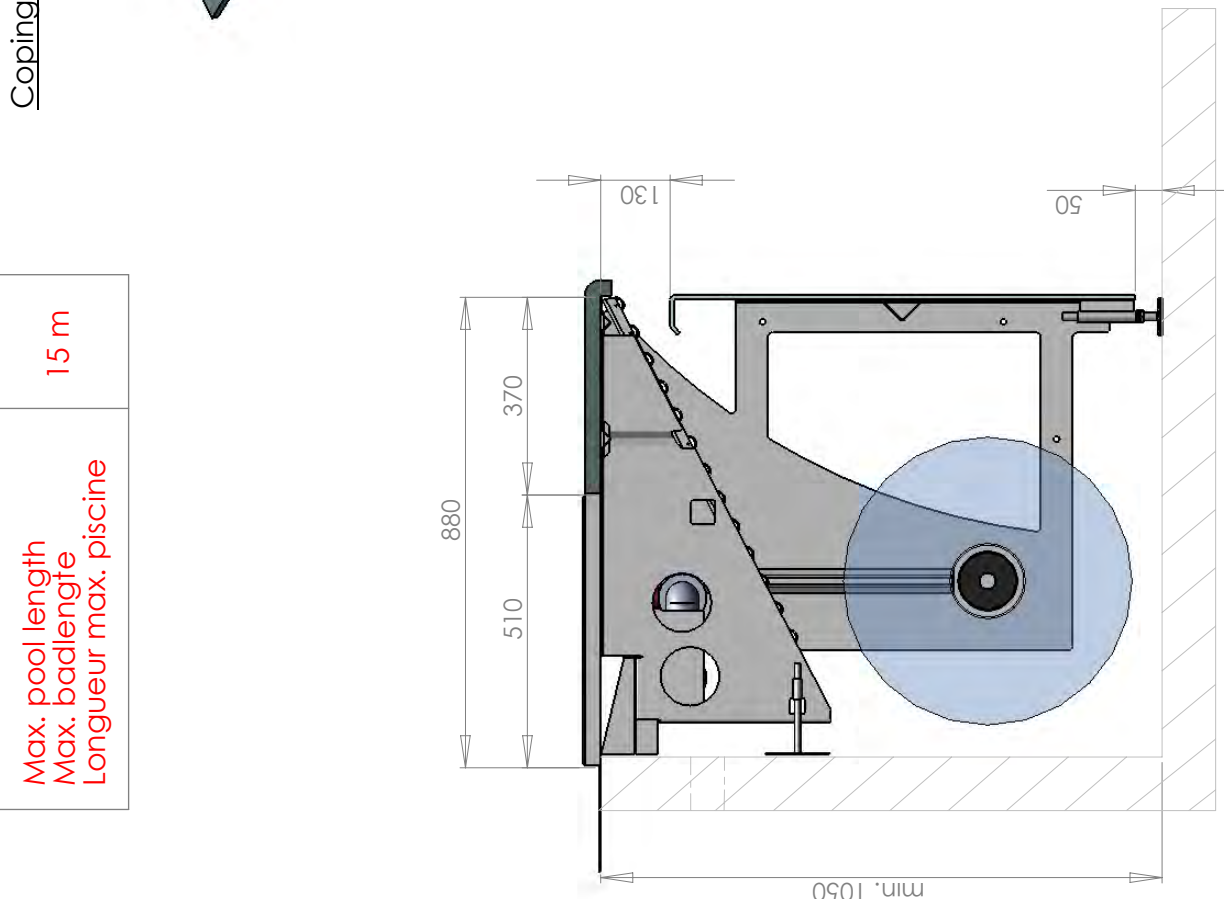


REF.	CSY008.4
NL	Overloopskimmer met tussenwand
F	Poutre de Débordement avec paroi
UK	Overflowskimmer With Separation Wall
D	Unterflursystem mit Überlaufrinne + Trennungswand

TOLERANCES:	LINEAR: +/- 2 %	ANGULAR: +/- 2 %	DO NOT SCALE DRAWING

Max. pool length
 Max. badlengte
 Longueur max. piscine

15 m

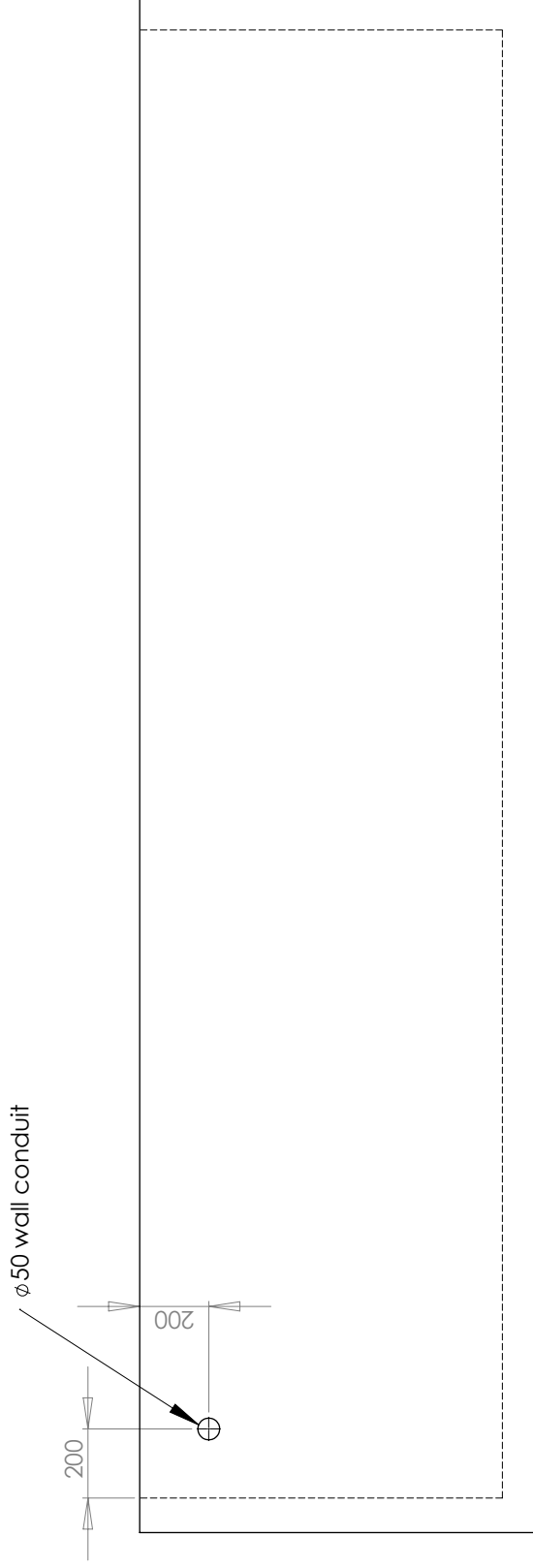


REF.	CSY008.3
NL	Overloopskimmer met tussenwand
F	Poutre de Débordement avec paroi
UK	Overflowskimmer With Separation Wall
D	Unterflursystem mit Überlaufinne + Trennungswand
TOLERANCES: LINEAR: +/- 2 % ANGULAR: +/- 2 % DO NOT SCALE DRAWING	

POOL PROTECTION
COVREX
 www.covrex.com info@covrex.com
 Tel : +32 16 55 37 70 Fax: +32 16 62 25 40
 Doc. version : TD.CSY008.3.0
 Date : 01/01/2014

DIMENSIONS IN MILLIMETERS SHEET 1 OF 2

INSTALLATION GUIDE



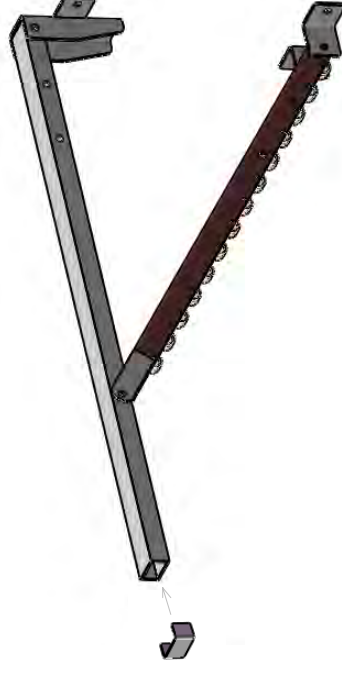
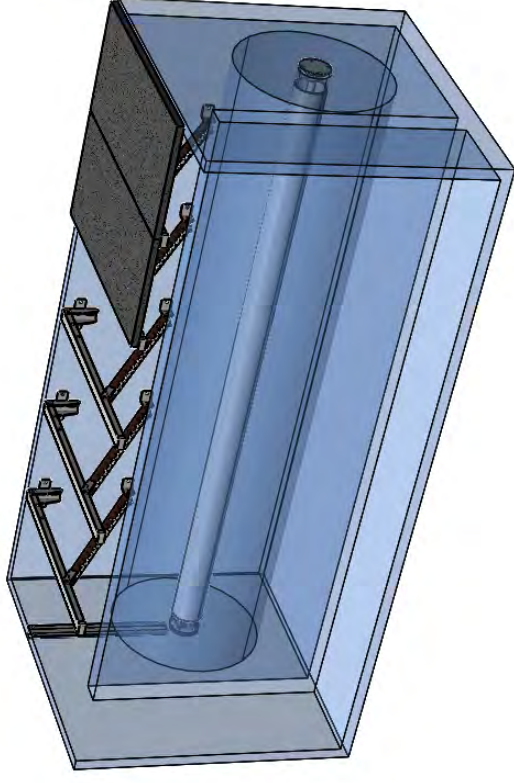
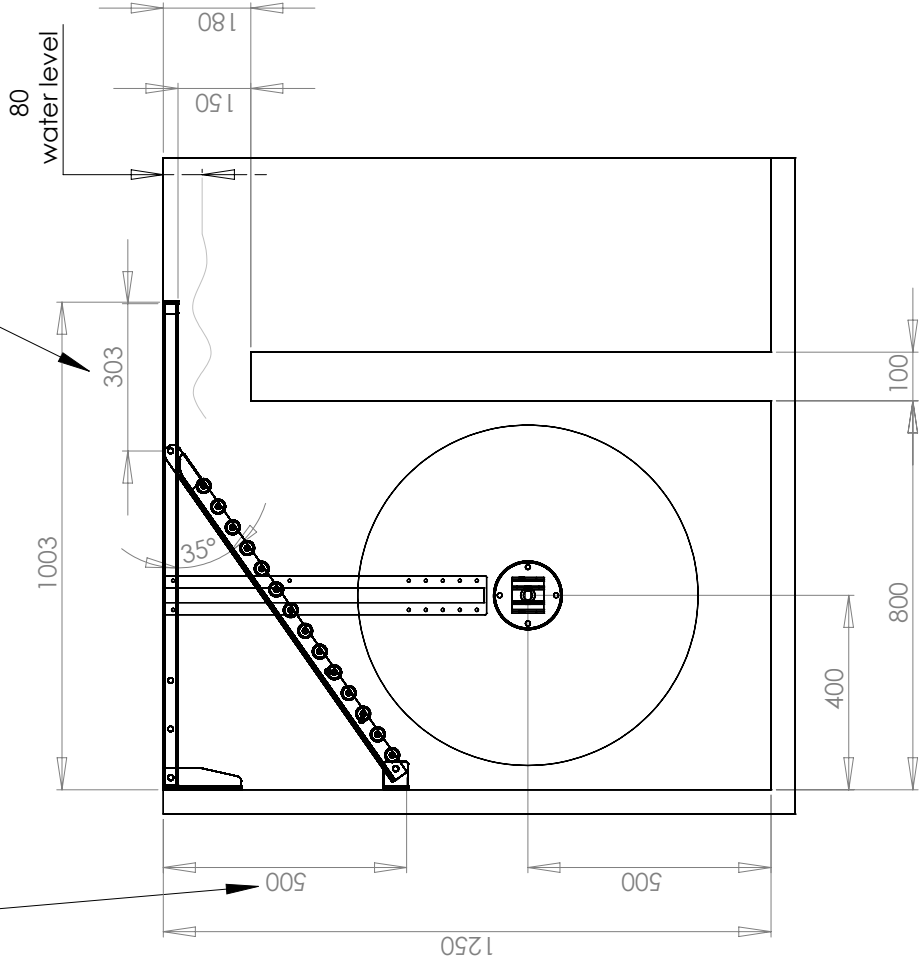
REF.	CSY008.3
NL	Overloopskimmer met tussenwand
F	Poutre de Débordement avec paroi
UK	Overflowskimmer With Separation Wall
D	Unterflursystem mit Überlaufrinne + Trennungswand

POOL PROTECTION
COVREX
www.covrex.com info@covrex.com
Tel : +32 16 55 37 70 Fax: +32 16 62 25 40
Doc. version : TD.CSY008.3.0
Date : 01/01/2014

Weight:	9.5 kg / triangle
Maximum weight supported:	200 kg / triangle
Triangle material:	Stainless Steel 316L
Maximum cover length:	24 m

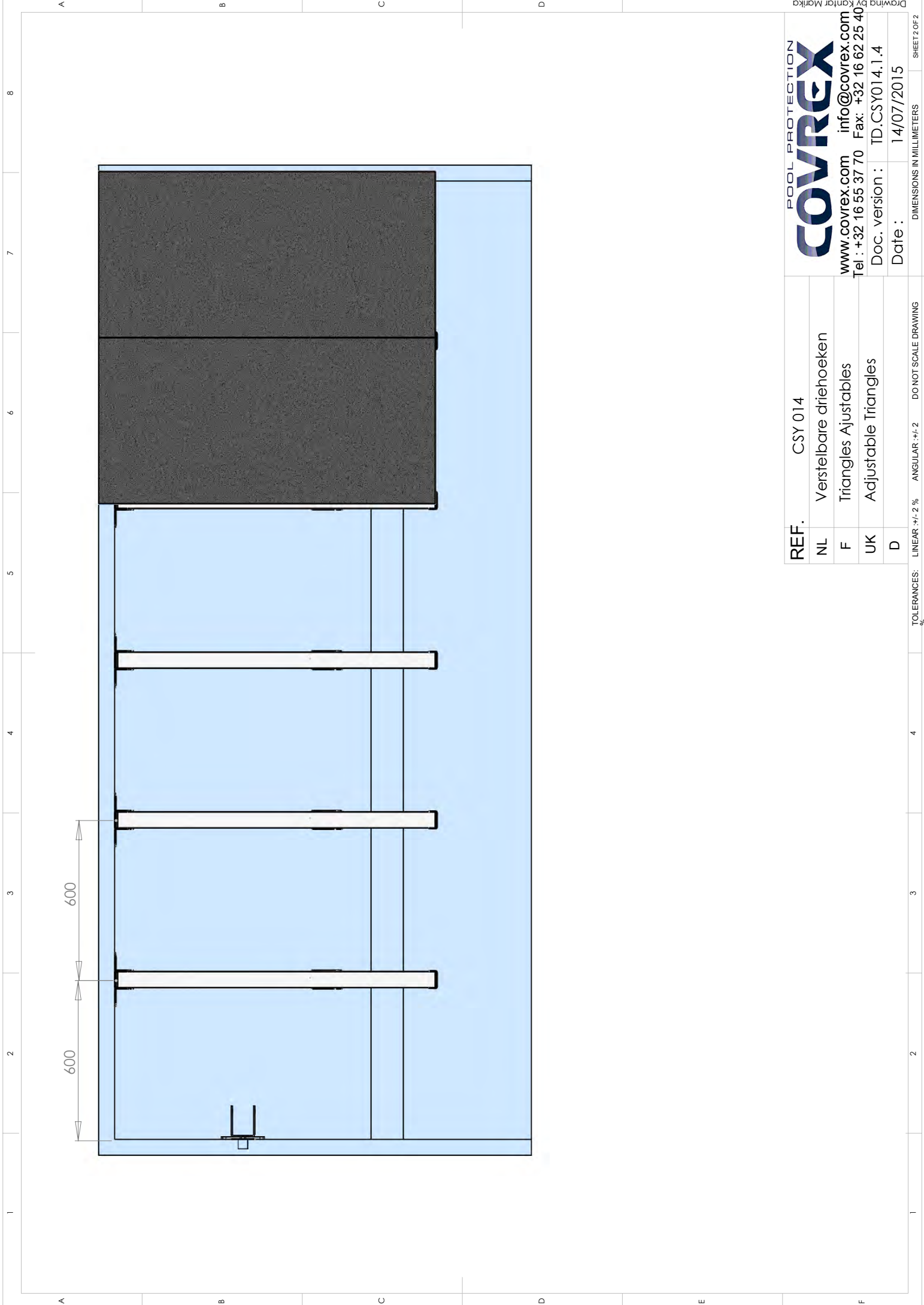
maximum dimension (can be reduced)

can be cut off



REF.	CSY 014
NL	Verstelbare driehoeken
F	Triangles Ajustables
UK	Adjustable Triangles
D	

POOL PROTECTION
COVREX
 www.covrex.com info@covrex.com
 Tel : +32 16 55 37 70 Fax: +32 16 62 25 40
 Doc. version : TD.CSY014.1.4
 Date : 14/07/2015



POOL PROTECTION
COVREX
 www.covrex.com info@covrex.com
 Tel : +32 16 55 37 70 Fax: +32 16 62 25 40
 Doc. version : TD.CSY014.1.4
 Date : 14/07/2015

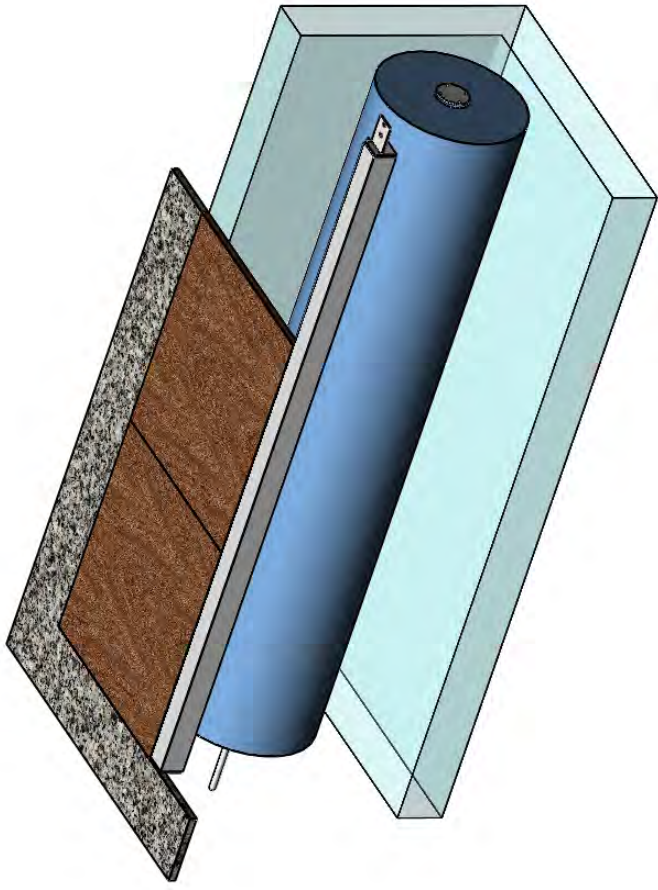
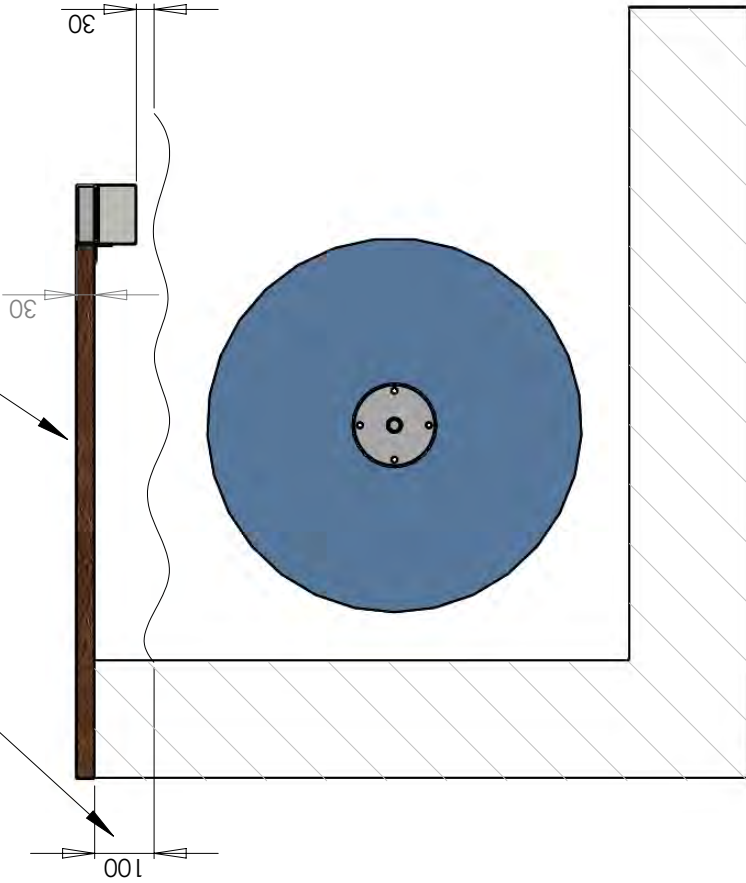
REF.	CSY 014
NL	Verstelbare driehoeken
F	Triangles Ajustables
UK	Adjustable Triangles
D	

Max. pool length
Max. badlengte
Longueur max. piscine

unlimited

waterlevel

Wood not supplied by Covrex®
Hout niet geleverd door Covrex®
Caillebotis non fournie par Covrex®



REF.	CSY017
NL	Inox draagbalk
F	Poutre en Inox
UK	Single Beam
D	Stützbalken für Terrasse
TOLERANCES: LINEAR: +/- 2 % ANGULAR: +/- 2 % DO NOT SCALE DRAWING	
DIMENSIONS IN MILLIMETERS	

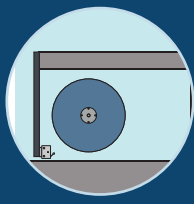
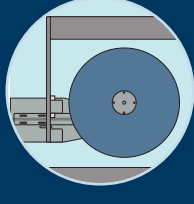
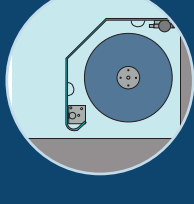
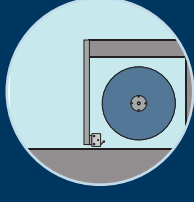
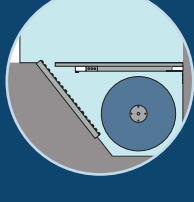
POOL PROTECTION
COVREX

www.covrex.com info@covrex.com
Tel: +32 16 55 37 70 Fax: +32 16 62 25 40

Doc. version: TD.CSY017.1.0
Date: 01/09/2015

Drawing by Kantor Markta
SHEET 1 OF 3

Underwater systems

Name & reference	Image	Variants	Advantages	Specifications	Options
Beam for Stone Seat CSY009		Single version	<ul style="list-style-type: none"> → Should be covered by a stone → Panels can be removed → Size can be chosen → No loss of water surface → Can be used as a seat/bench 	unlimited yes yes yes welded liner only*	no yes no no
Pool Seat with Side Plates CSY010		CSY010.1: Seat only CSY010.2: Seat + separation wall	<ul style="list-style-type: none"> → Easy to install → Different colours possible → No loss of water surface → No drillings in the wall → Can be used as a seat/bench 	14m no no yes (max R50 mm) yes* welded liner only*	yes no no yes
Fiberglass Pool Bench CSY011		Single version	<ul style="list-style-type: none"> → No loss of swimming surface → Almost invisible → Can be tiled to match pool 	13m yes yes no welded liner only*	no yes no no
Pool Seat or Bottom Pit CSY012		CSY012.1: PVC pool bottom pit CSY012.2: PVC pool seat CSY012.3: Inox pool bottom hinged lid	<ul style="list-style-type: none"> → No loss of swimmable surface → Can be tiled to match pool → Size can be chosen → Use as underwater pool seat or as pool bottom lid 	20m yes yes yes welded liner only*	no yes no no
Pool Wall Cave CSY013		CSY013.1: PVC front panels CSY013.2: Stainless steel panels	<ul style="list-style-type: none"> → No loss of swimming surface → Almost invisible → Can be tiled to match pool → Perfect for overflow pools 	19m yes yes yes welded liner only*	no yes no no

* please advise us if you install the cover on a welded liner pool when filling in your order form



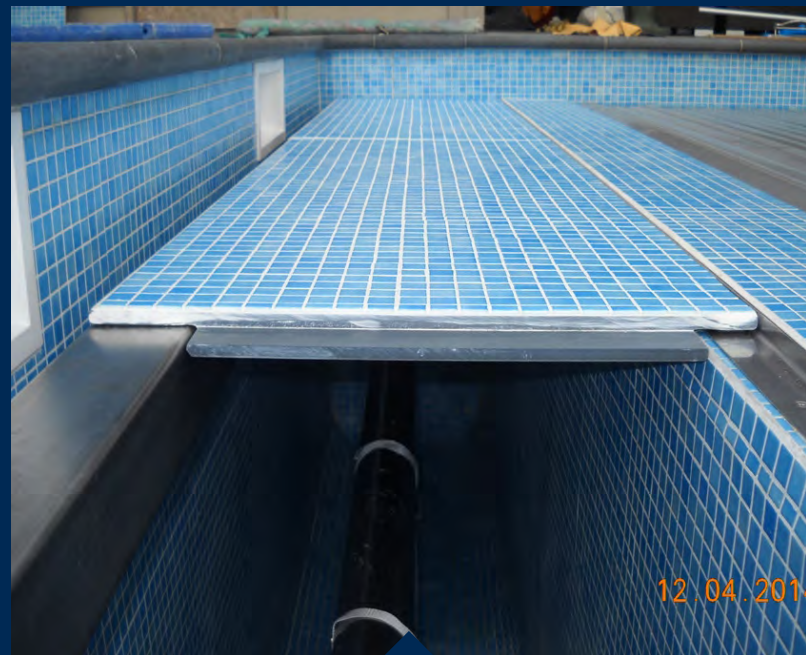
CSY009 : Beam for Pool Seat (Stone)



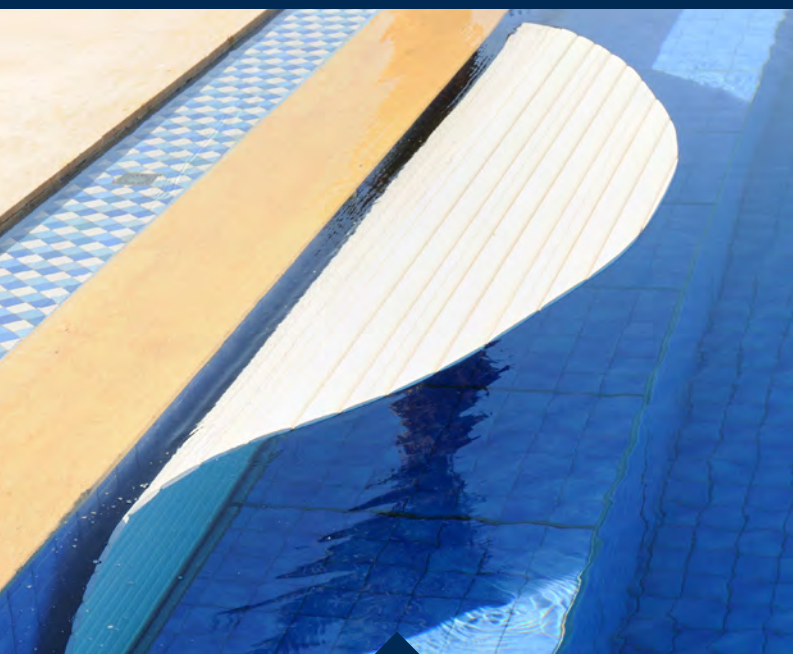
CSY010 : Pool Seat with Side Plates



CSY011 : Fiberglass Pool Bench



CSY012.2 : PVC Pool Seat



CSY012.3 : Inox pool bottom hinged lid



CSY013 : Pool Wall Cave

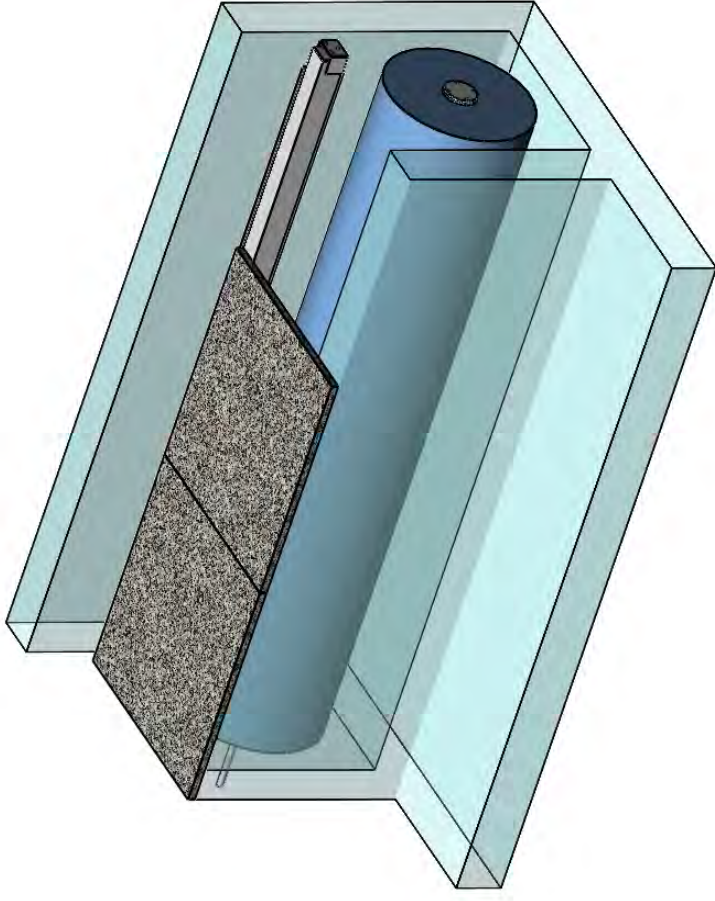
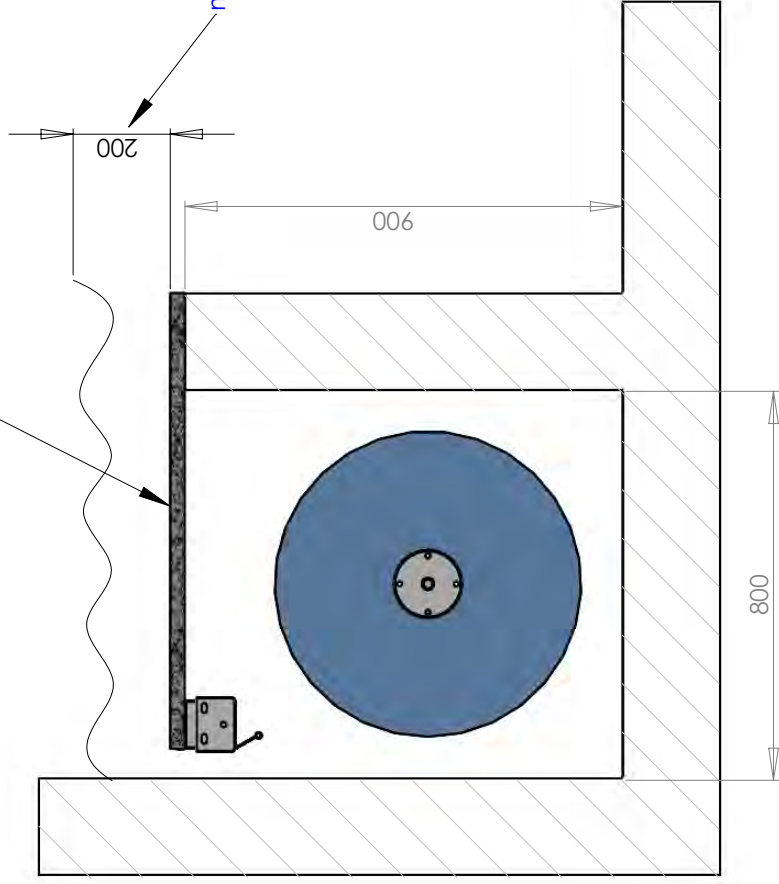
Max. pool length
Max. badlengte
Longueur max. piscine

20 m

standard pit 800 x 900 mm

Stone not supplied by Covrex®
Steen niet geleverd door Covrex®
Pierre non fournie par Covrex®

min. waterlevel



REF.

CSY009

NL Balk voor Stenen Plage

F Poutre pour Plage Immergé en Pierre

UK Beam for Pool Seat (Stone)

D Stützbalken für Unterwassersitzbank

POOL PROTECTION
COVREX

www.covrex.com info@covrex.com
Tel: +32 16 55 37 70 Fax: +32 16 62 25 40

Doc. version : TD.CSY009.1.0

Date : 01/09/2015

TOLERANCES: LINEAR: +/- 2 % ANGULAR: +/- 2

DO NOT SCALE DRAWING

DIMENSIONS IN MILLIMETERS

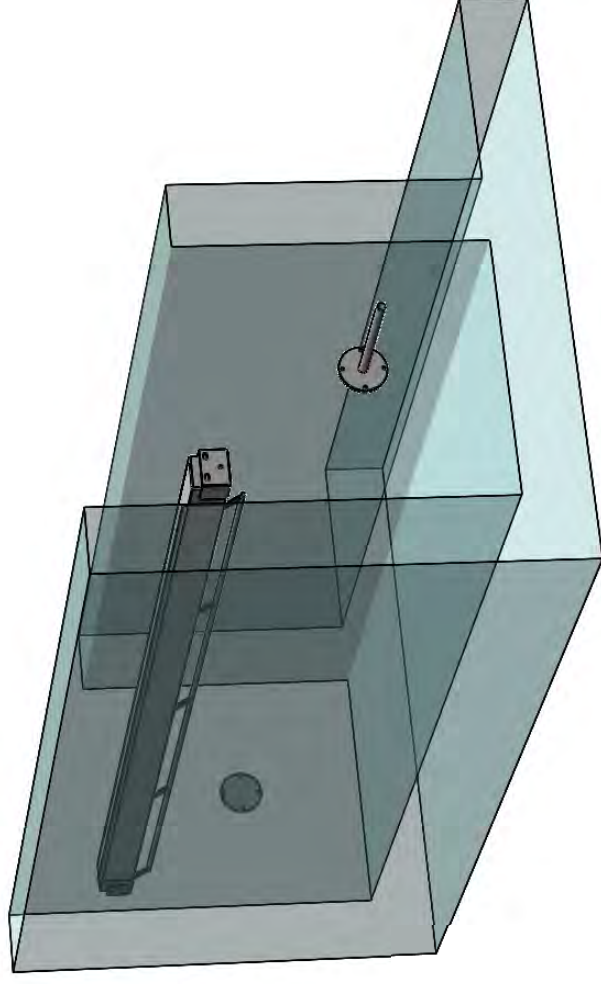
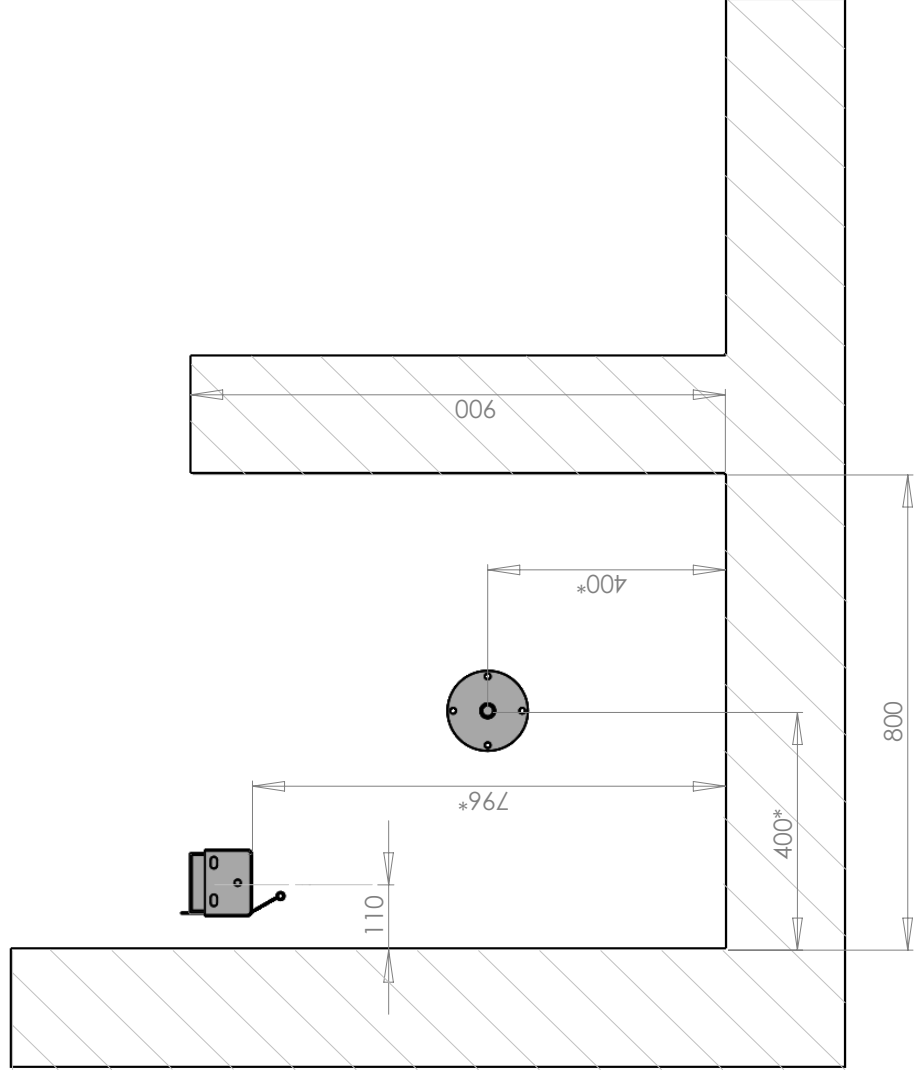
SHEET 1 OF 3

Drawing by Kantor Markka

INSTALLATION GUIDE

(for standard pit 800 x 900 mm)

- *Deze afmetingen zullen variëren indien de afmetingen van de rolluikbak anders zijn.
- *These dimensions will vary if the pit dimensions vary.
- *Ces dimensions vont varier si les dimensions du bac sont différentes.



REF.

CSY009

NL Balk voor Stenen Plage

F Poutre pour Plage Immérgé en Pierre

UK Beam for Pool Seat (Stone)

D Stützbalken für Unterwassersitzbank

POOL PROTECTION

COVREX

www.covrex.com info@covrex.com
Tel : +32 16 55 37 70 Fax: +32 16 62 25 40

Doc. version : TD.CSY009.1.0

Date : 01/09/2015

TOLERANCES: LINEAR: +/- 2 %
ANGULAR: +/- 2 %

DO NOT SCALE DRAWING

DIMENSIONS IN MILLIMETERS

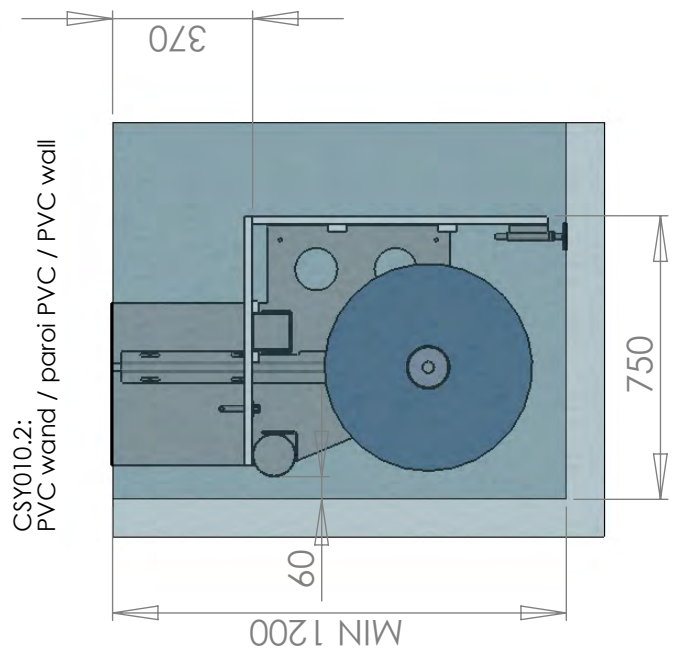
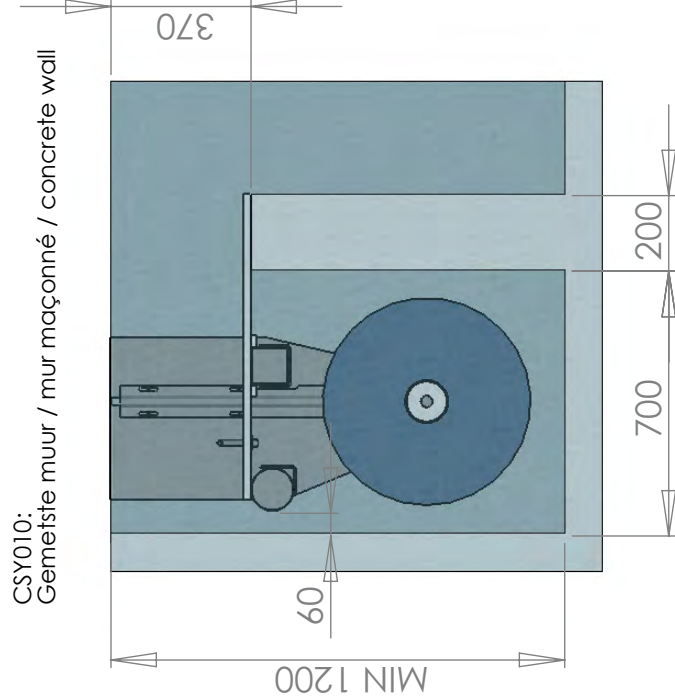
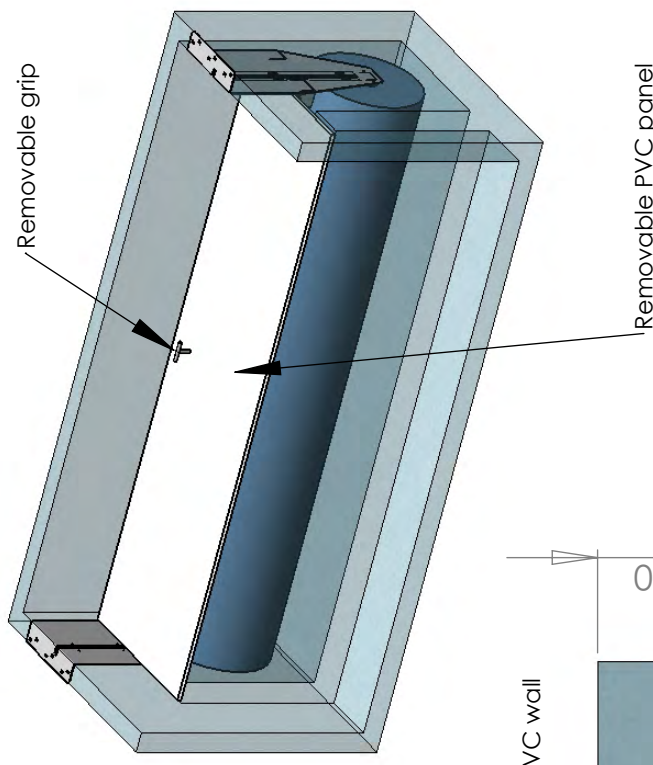
SHEET 2 OF 3

Drawing by Kantor Markka

Max. pool length
Max. badlengte
Longueur max. piscine

14 m

Onderwater plage zonder doorboringen in de liner
Plage immergée sans perforation du liner
Under water sitting surface without drillings in the liner



REF.	CSY010
NL	Inhangplage
F	Plage immergée à flasques
UK	Pool Seat
D	

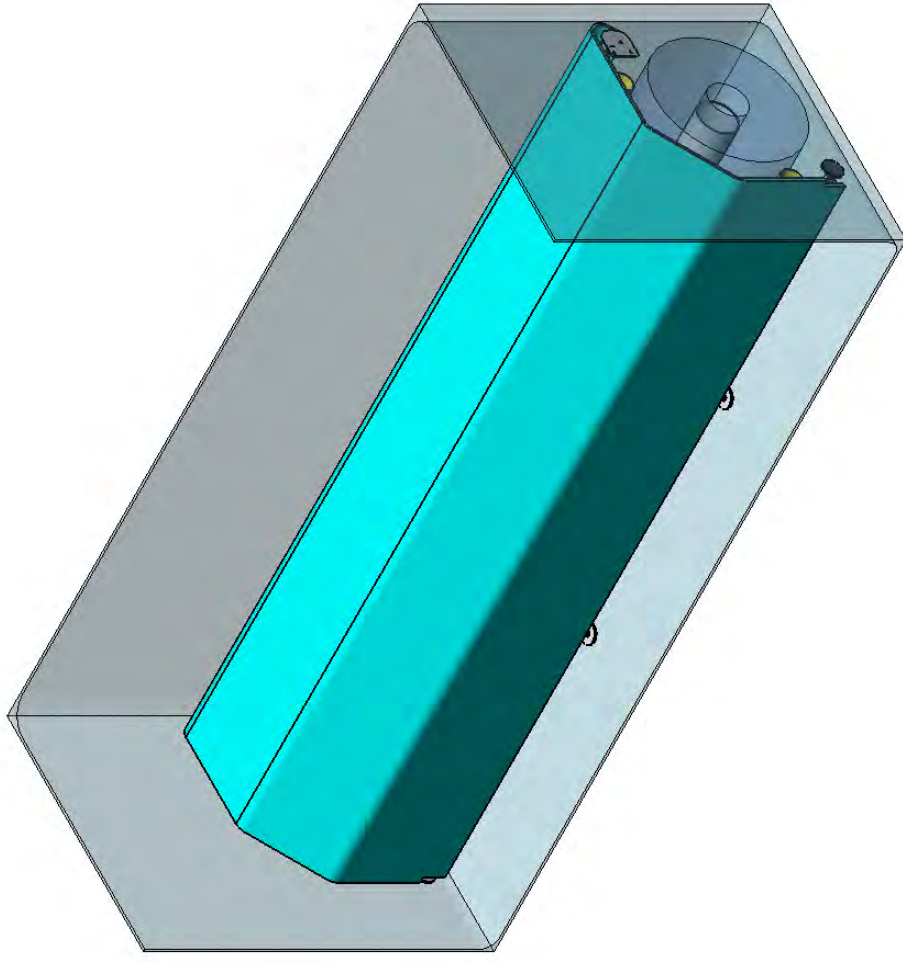
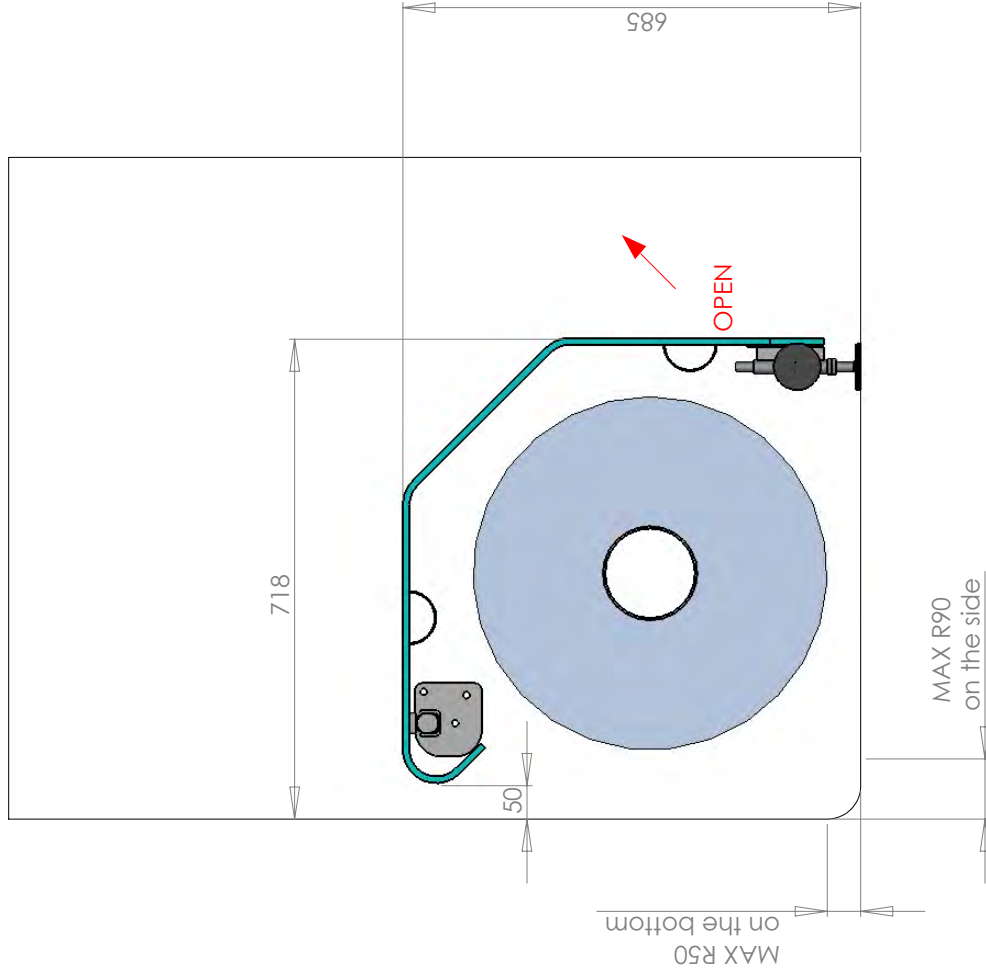
POOL PROTECTION
COVREX
www.covrex.com info@covrex.com
Tel: +32 16 55 37 70 Fax: +32 16 62 25 40
Doc. version : TD.CSY010
Date : 01/01/2015

TOLERANCES: LINEAR: +/- 2 % ANGULAR: +/- 2 %

DIMENSIONS IN MILLIMETERS DO NOT SCALE DRAWING

Max. pool length
 Max. badlengthe
 Longueur max. piscine

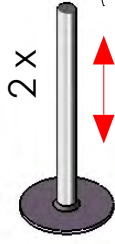
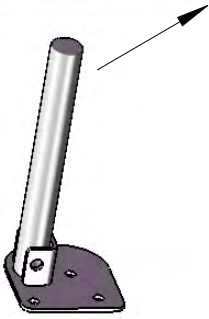
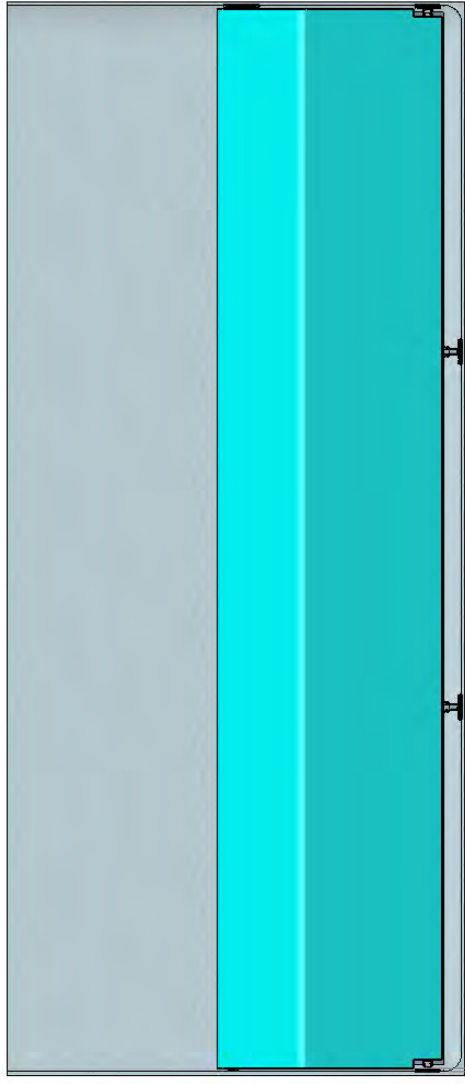
13 m



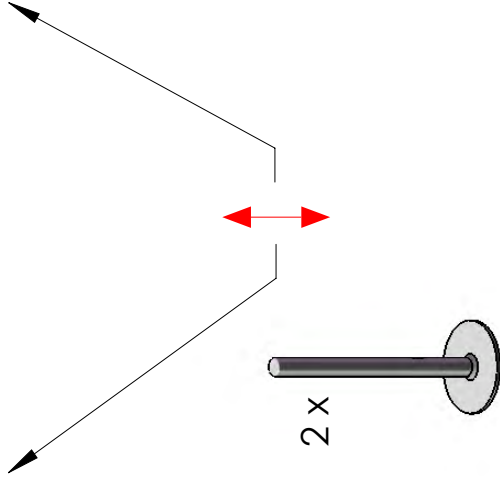
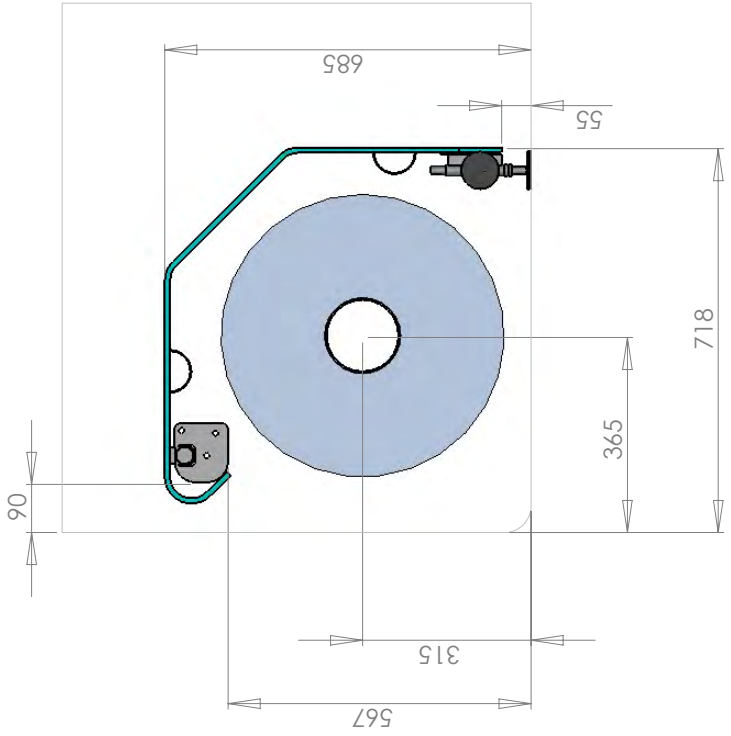
REF.	CSY011
NL	Polyester Bodembak
F	Boitier de Fond en Polyester
UK	Polyester Pool Bench
D	Unterflursystem mit Polyesterkappe
TOLERANCES: LINEAR: +/- 2 % ANGULAR: +/- 2 % DO NOT SCALE DRAWING	

POOL PROTECTION
COVREX
 www.covrex.com info@covrex.com
 Tel : +32 16 55 37 70 Fax: +32 16 62 25 40
 Doc. version : TD.CSY011.1.3
 Date : 01/01/2014
 DIMENSIONS IN MILLIMETERS
 SHEET 1 OF 2

INSTALLATION GUIDE



10



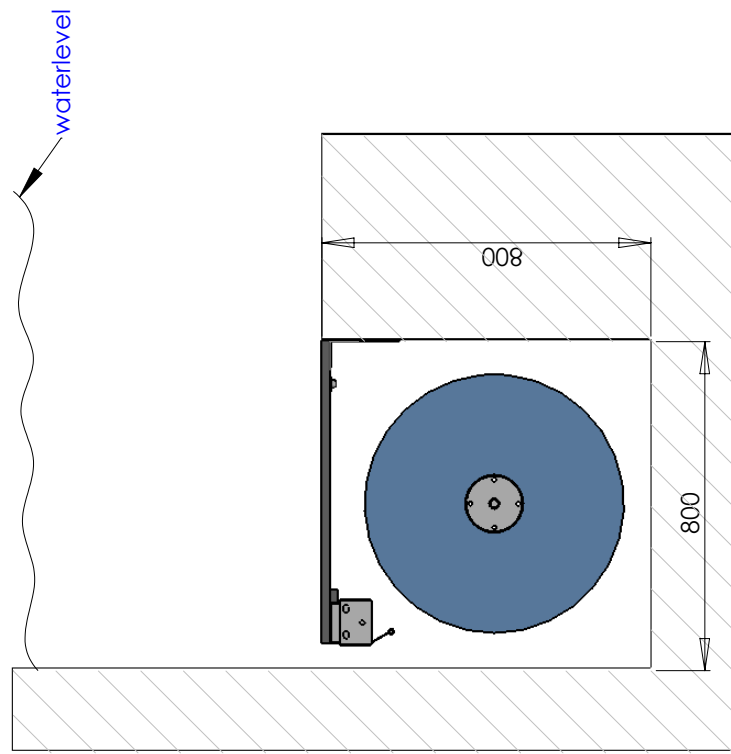
REF.	CSY011
NL	Polyester Bodembak
F	Boitier de Fond en Polyester
UK	Polyester Pool Bench
D	Unterflurssystem mit Polyesterkappe
TOLERANCES: LINEAR: +/- 2 % ANGULAR: +/- 2 % DO NOT SCALE DRAWING	

POOL PROTECTION
COVREX
www.covrex.com info@covrex.com
 Tel : +32 16 55 37 70 Fax: +32 16 62 25 40
 Doc. version : TD.CSY011.1.3
 Date : 01/01/2014
 DIMENSIONS IN MILLIMETERS
 SHEET 2 OF 2

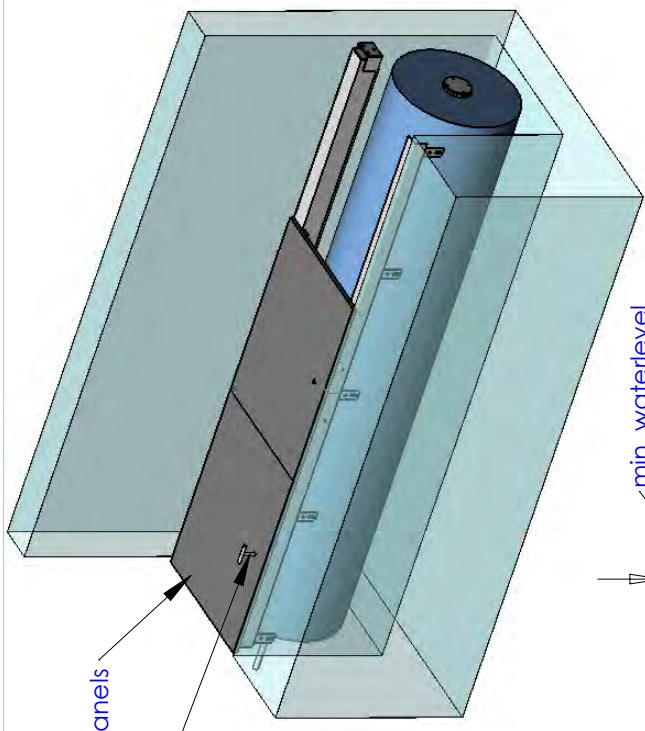
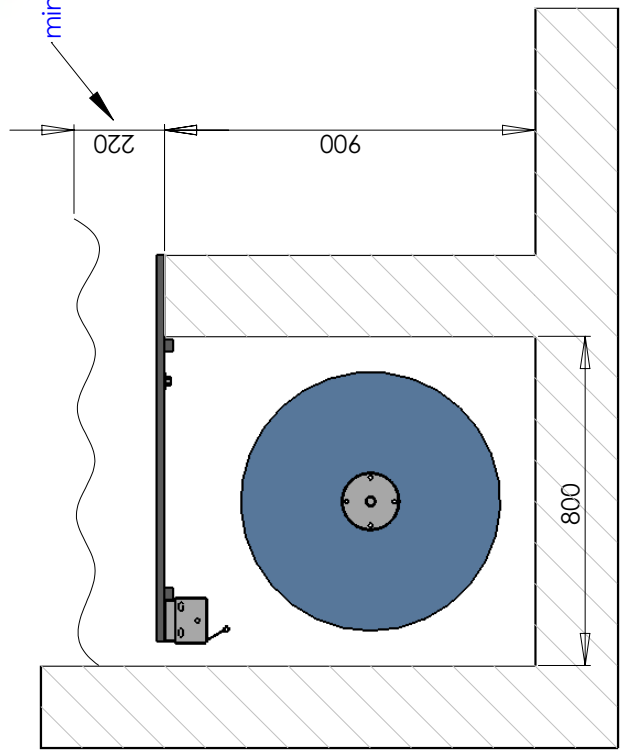
Standard pit 800 x 800/900

Max. pool length
Max. badlänge
Longueur max. piscine

20 m



CSY012.2:



REF.	CSY012.1 + CSY012.2
NL	Bodemnis of Plage in PVC
F	Fosse de Fond ou Plage en PVC
UK	Pool Bottom Pit or Seat in PVC
D	Unterflurssystem mit Deckel PVC

POOL PROTECTION

COVREX

www.covrex.com info@covrex.com
Tel : +32 16 55 37 70 Fax: +32 16 62 25 40
Doc. version : TD.CSY012.1.0 + 2.0
Date : 01/09/2015

DIMENSIONS IN MILLIMETERS

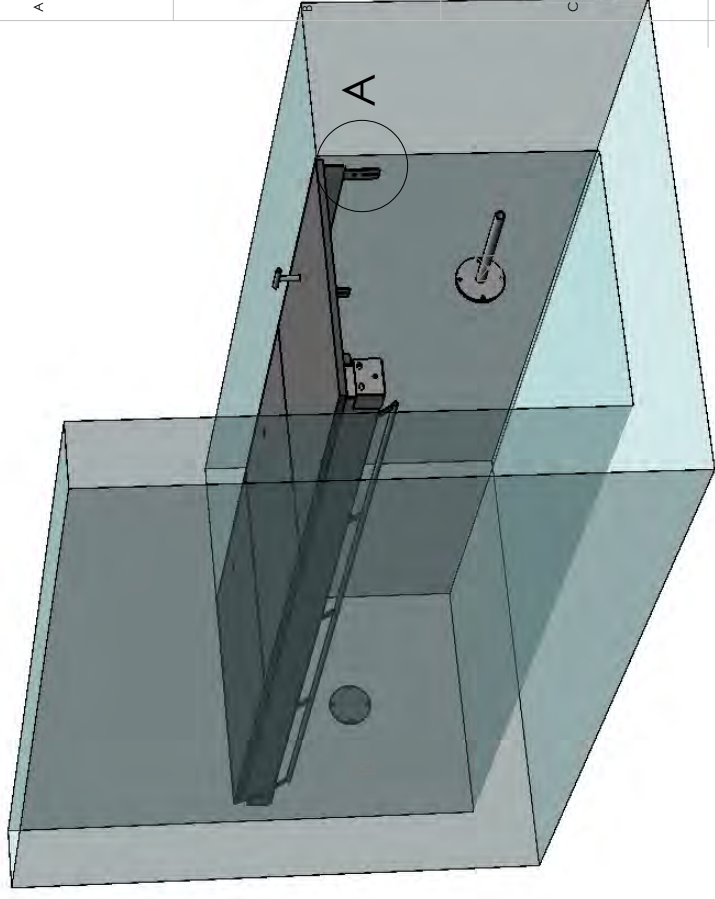
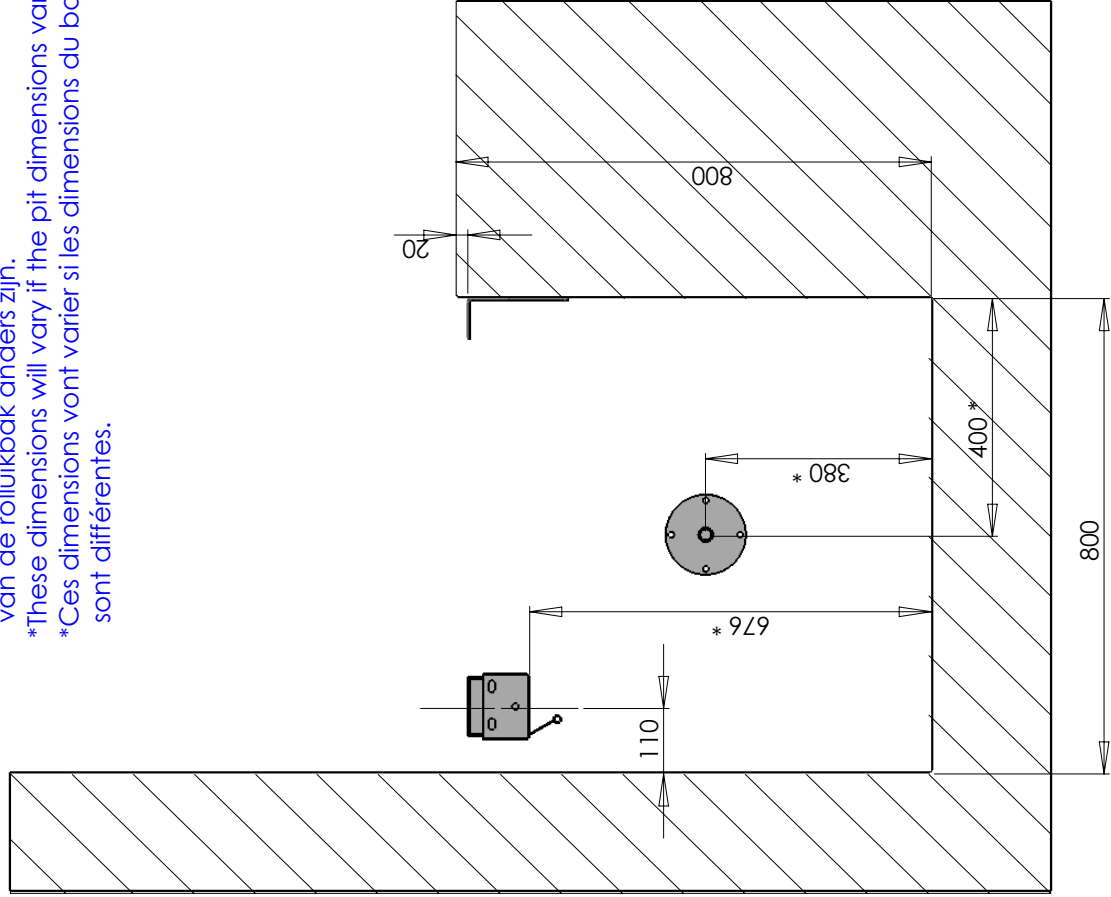
SHEET 1 OF 2

TOLERANCES: LINEAR: +/- 2 % ANGULAR: +/- 2 % DO NOT SCALE DRAWING

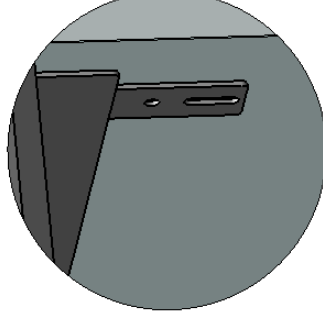
INSTALLATION GUIDE

(for standard pit 800 x 800 mm)

- *Deze afmetingen zullen variëren indien de afmetingen van de rolluikbak anders zijn.
- *These dimensions will vary if the pit dimensions vary.
- *Ces dimensions vont varier si les dimensions du bac sont différentes.



DETAIL A
SCALE 1 : 4



REF.	CSY012.1 + CSY012.2
NL	Bodemnis of Plage in PVC
F	Fosse de Fond ou Plage en PVC
UK	Pool Bottom Pit or Seat in PVC
D	Unterflursystem mit Deckel PVC

POOL PROTECTION
COVREX

www.covrex.com info@covrex.com
Tel : +32 16 55 37 70 Fax : +32 16 62 25 40

Doc. version : TD.CSY012.1.0 + 2.0

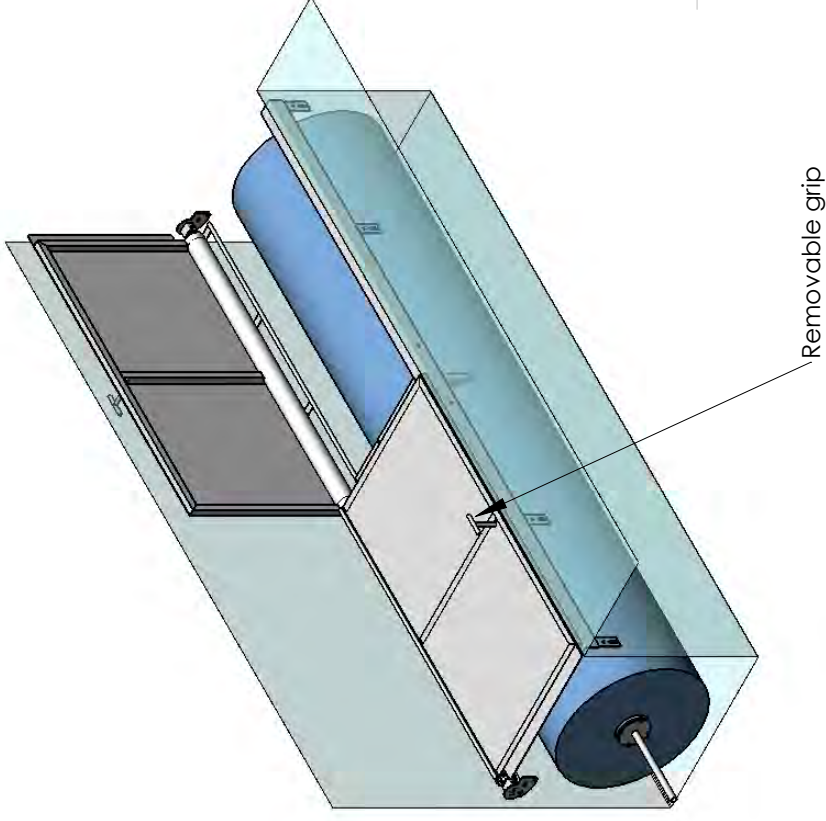
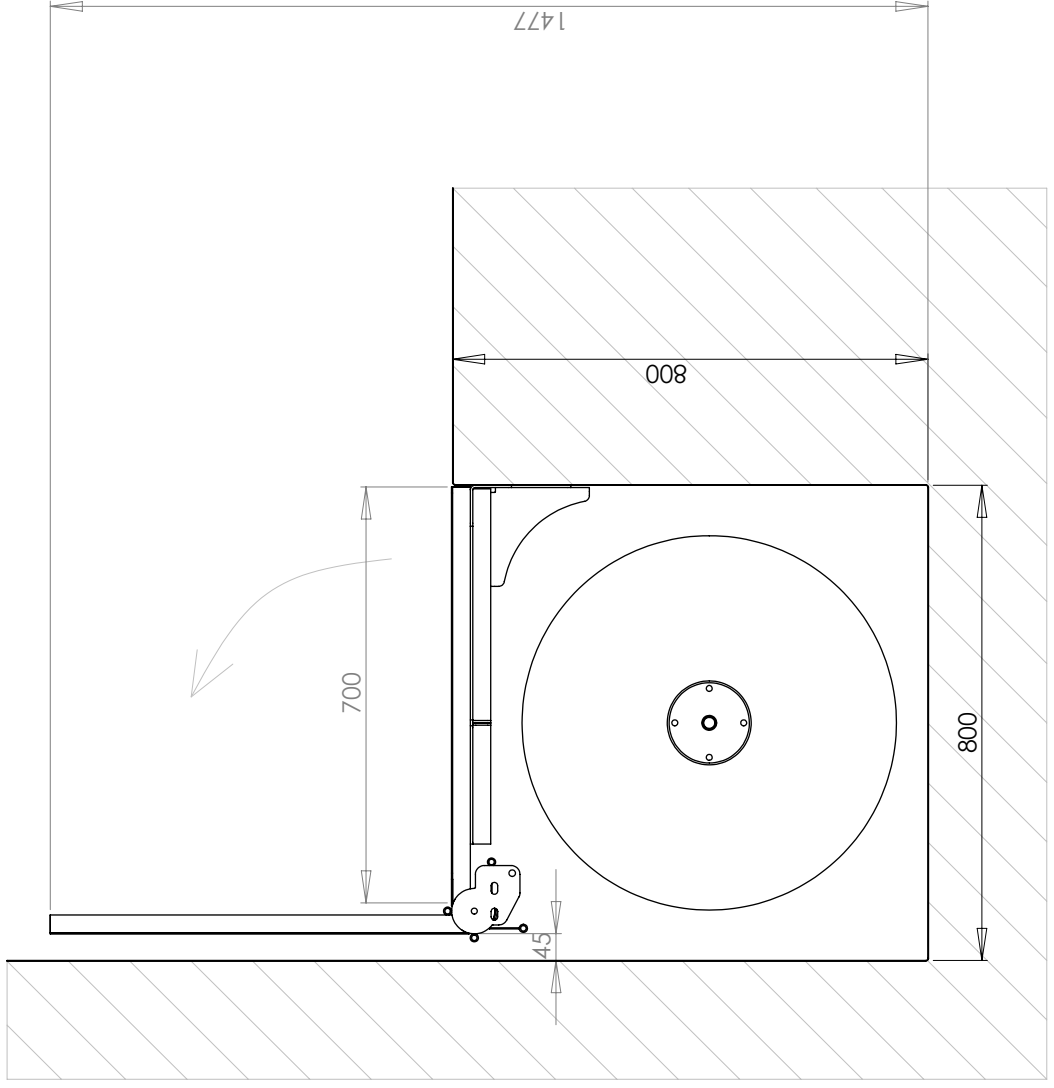
Date : 01/09/2015

TOLERANCES: LINEAR: +/- 2 % ANGULAR: +/- 2 % DO NOT SCALE DRAWING DIMENSIONS IN MILLIMETERS SHEET 2 OF 2

Max. pool length
 Max. badlengte
 Longueur max. piscine

19 m

standard pit 800 x 800 mm



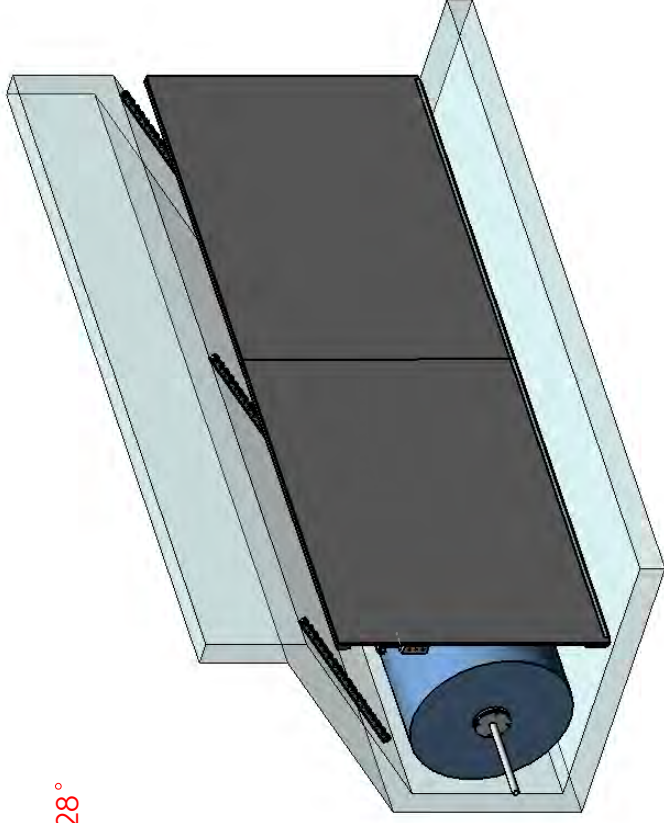
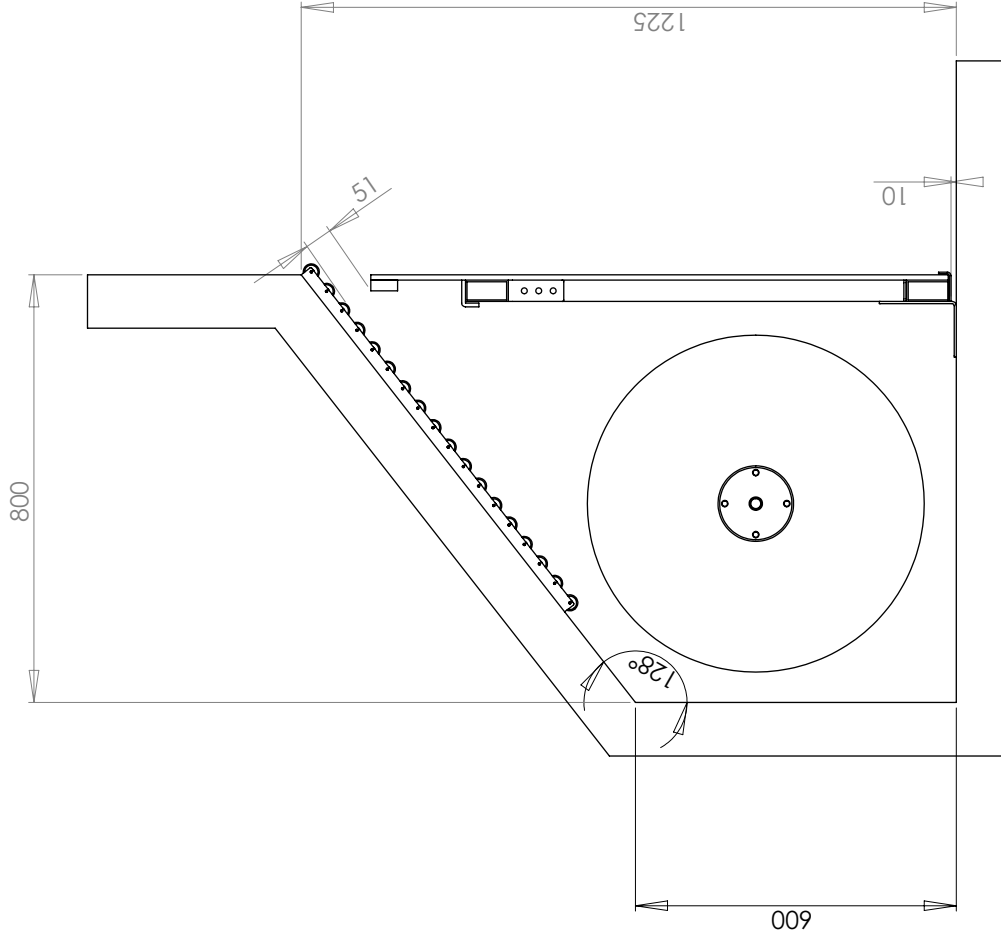
REF.	CSY012.1
NL	Bodemnis RVS
F	Fosse de Fond RVS
UK	Pool Bottom Hinged Lid RVS
D	Unterflursystem mit Bodenklappe

POOL PROTECTION	
COVREX	
www.covrex.com	info@covrex.com
Tel : +32 16 55 37 70	Fax : +32 16 62 25 40
Doc. version :	TD.CSY012.1.3
Date :	01/01/2014

Max. pool length
 Max. badlengthe
 Longueur max. piscine

19 m

standard pit 800 x 600 mm @ 128°

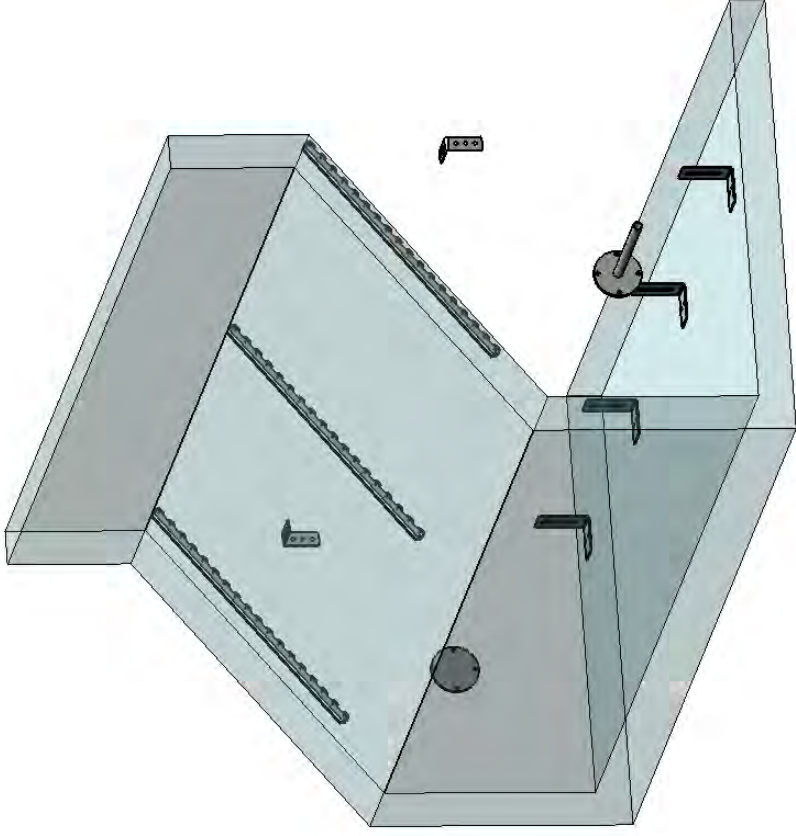
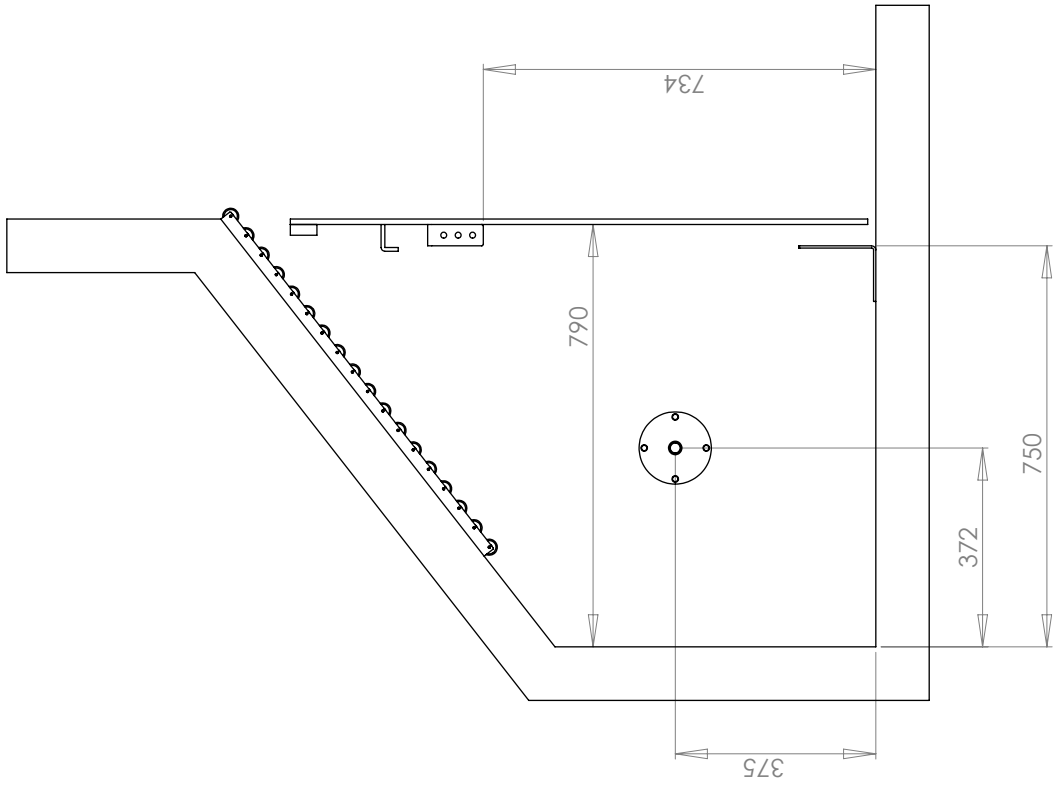


REF.	CSY013.2
NL	Muurnis PVC
F	Fosse Murale PVC
UK	Back Wall Cave PVC
D	Unterflurssystem in einer Nische

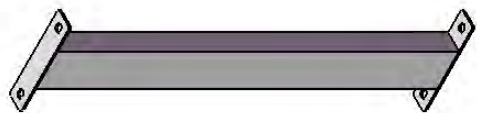
POOL PROTECTION
COVREX
 www.covrex.com info@covrex.com
 Tel : +32 16 55 37 70 Fax: +32 16 62 25 40
 Doc. version : TD.CSY013.2.0
 Date : 01/01/2014

INSTALLATION GUIDE

(for standard pit 800 x 600 mm @ 128°)

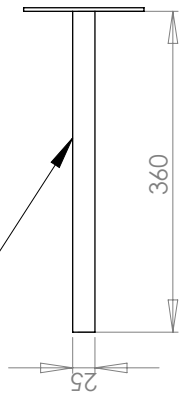


REF.	CSY013.2
NL	Muurnis RVS
F	Fosse Murale RVS
UK	Back Wall Cave RVS
D	Unterflursystem in einer Nische
TOLERANCES: LINEAR: +/- 2 % ANGULAR: +/- 2 % DO NOT SCALE DRAWING	
	
www.covrex.com info@covrex.com Tel: +32 16 55 37 70 Fax: +32 16 62 25 40 Doc. version: TD.CSY013.2.0 Date: 01/01/2014	
DIMENSIONS IN MILLIMETERS	
SHEET 2 OF 3	



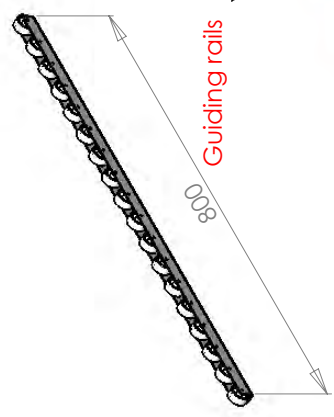
2 x support vertical

DETAIL A
SCALE 1 : 8



Wall conduit:

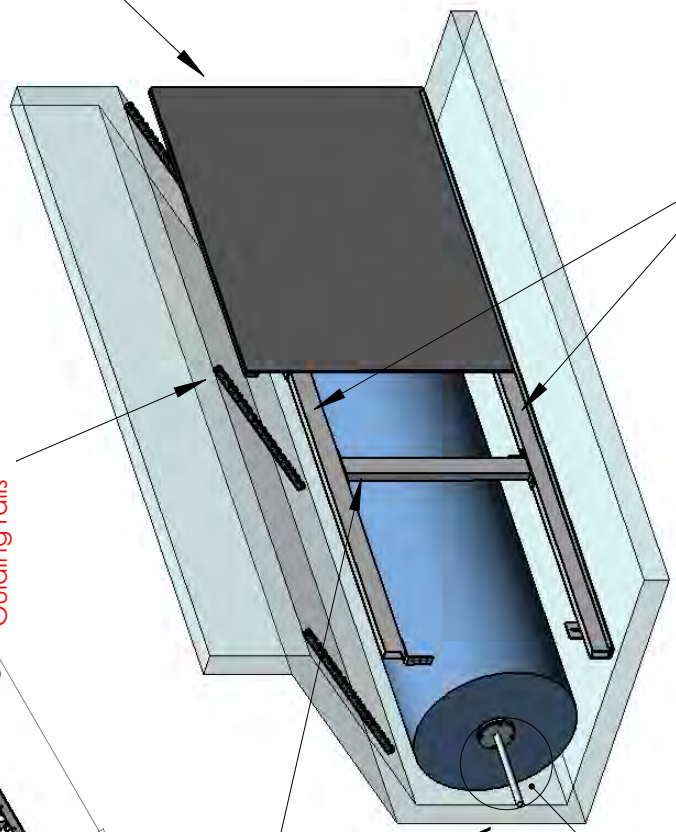
Wall conduit for electrical cable



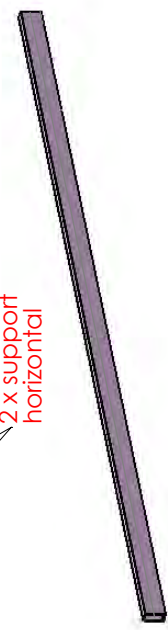
Guiding rails



PVC plate



2 x support horizontal



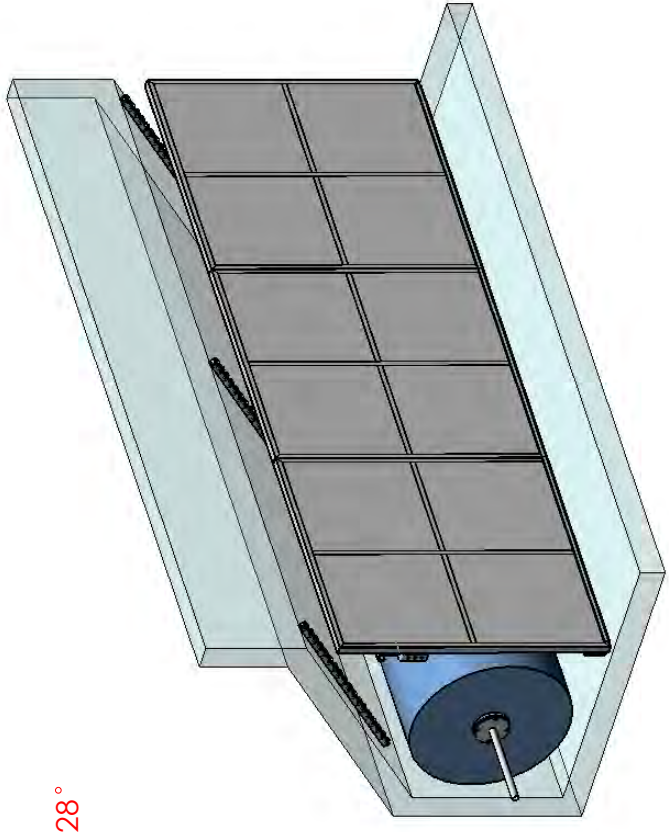
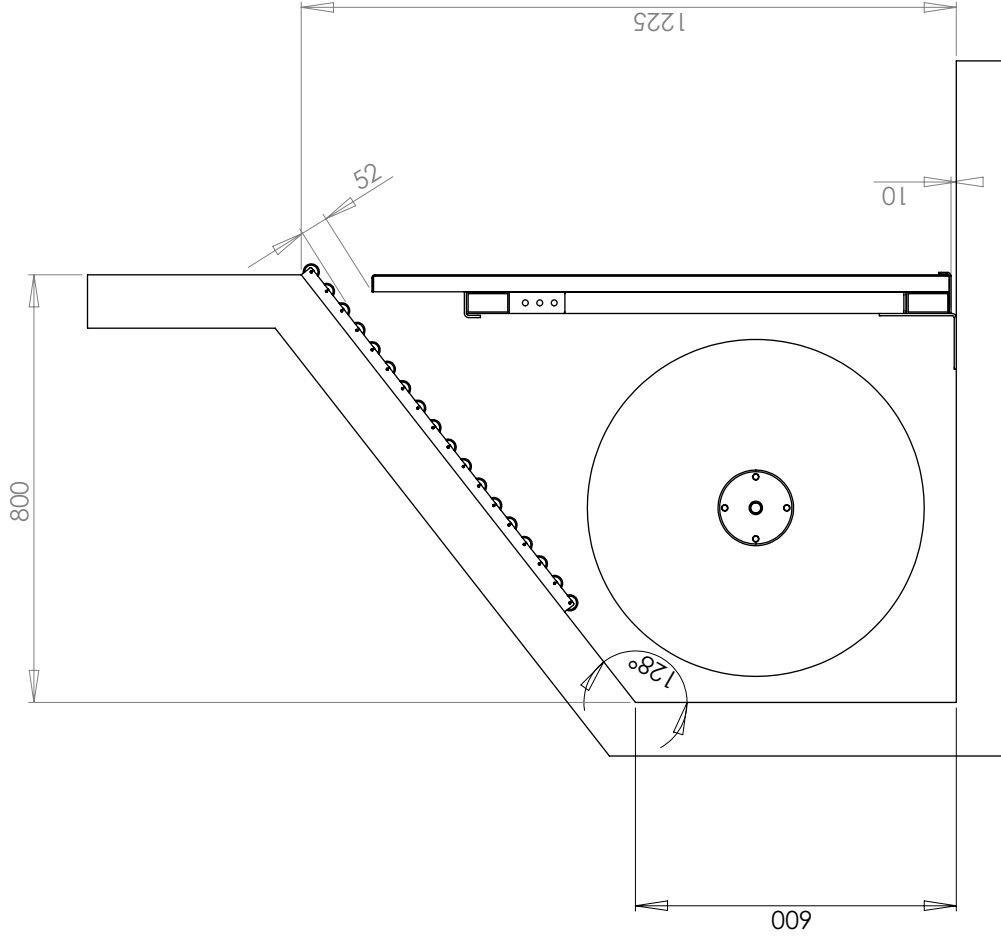
REF.	CSY013.2
NL	Muurnis RVS
F	Fosse Murale RVS
UK	Back Wall Cave RVS
D	Unterflursystem in einer Nische

POOL PROTECTION
COVREX
www.covrex.com info@covrex.com
Tel : +32 16 55 37 70 Fax : +32 16 62 25 40
Doc. version : TD.CSY013.2.0
Date : 01/01/2014

Max. pool length
 Max. badlengthe
 Longueur max. piscine

19 m

standard pit 800 x 600 mm @ 128°

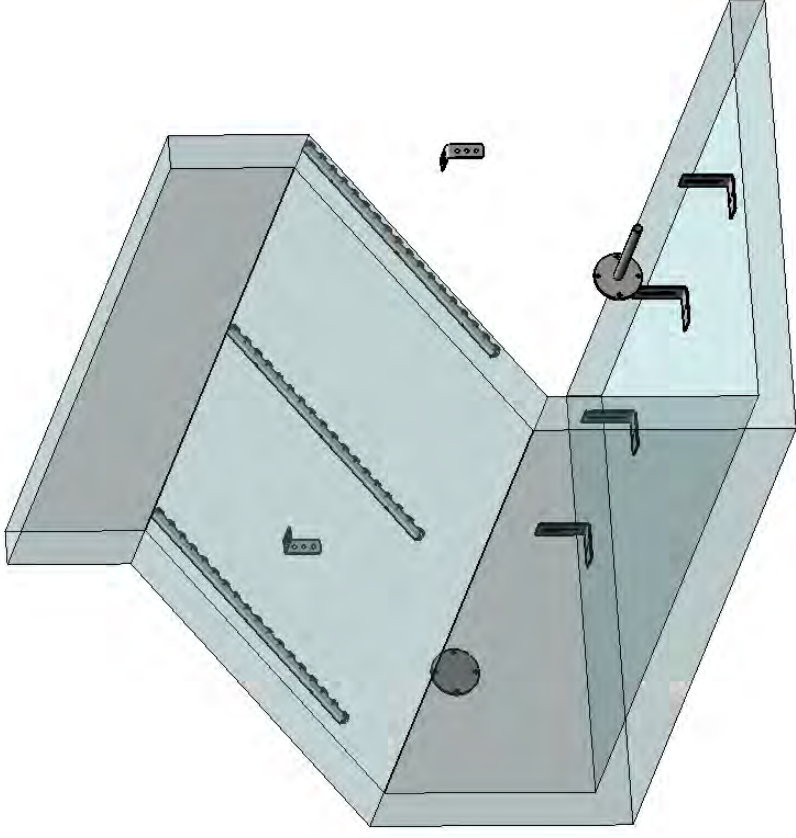
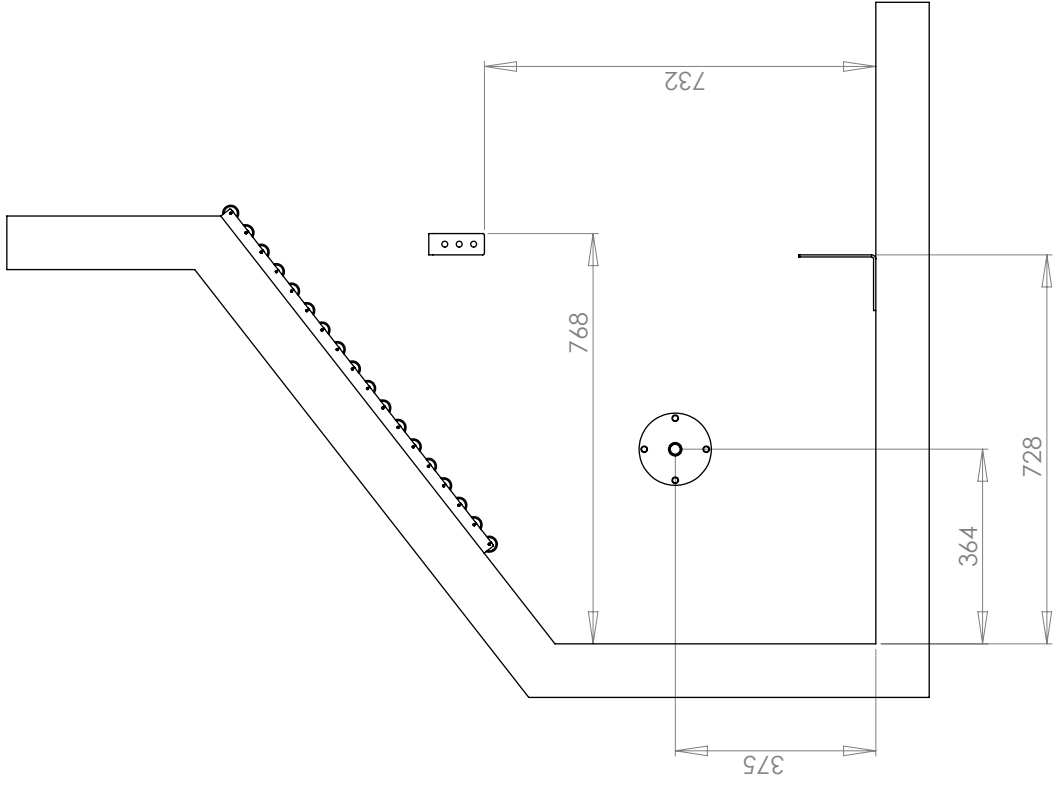


REF.	CSY013.1
NL	Muurnis RVS
F	Fosse Murale RVS
UK	Back Wall Cave RVS
D	Unterflurssystem in einer Nische

POOL PROTECTION
COVREX
 www.covrex.com info@covrex.com
 Tel: +32 16 55 37 70 Fax: +32 16 62 25 40
 Doc. version: TD.CSY013.1.3
 Date: 01/01/2014

INSTALLATION GUIDE

(for standard pit 800 x 600 mm @ 128°)



REF.

CSY013.1

NL

Muurnis RVS

F

Fosse Murale RVS

UK

Back Wall Cave RVS

D

Unterflursystem in einer Nische

POOL PROTECTION
COVREX

www.covrex.com info@covrex.com

Tel : +32 16 55 37 70 Fax: +32 16 62 25 40

Doc. version : TD.CSY013.1.3

Date : 01/01/2014

DIMENSIONS IN MILLIMETERS

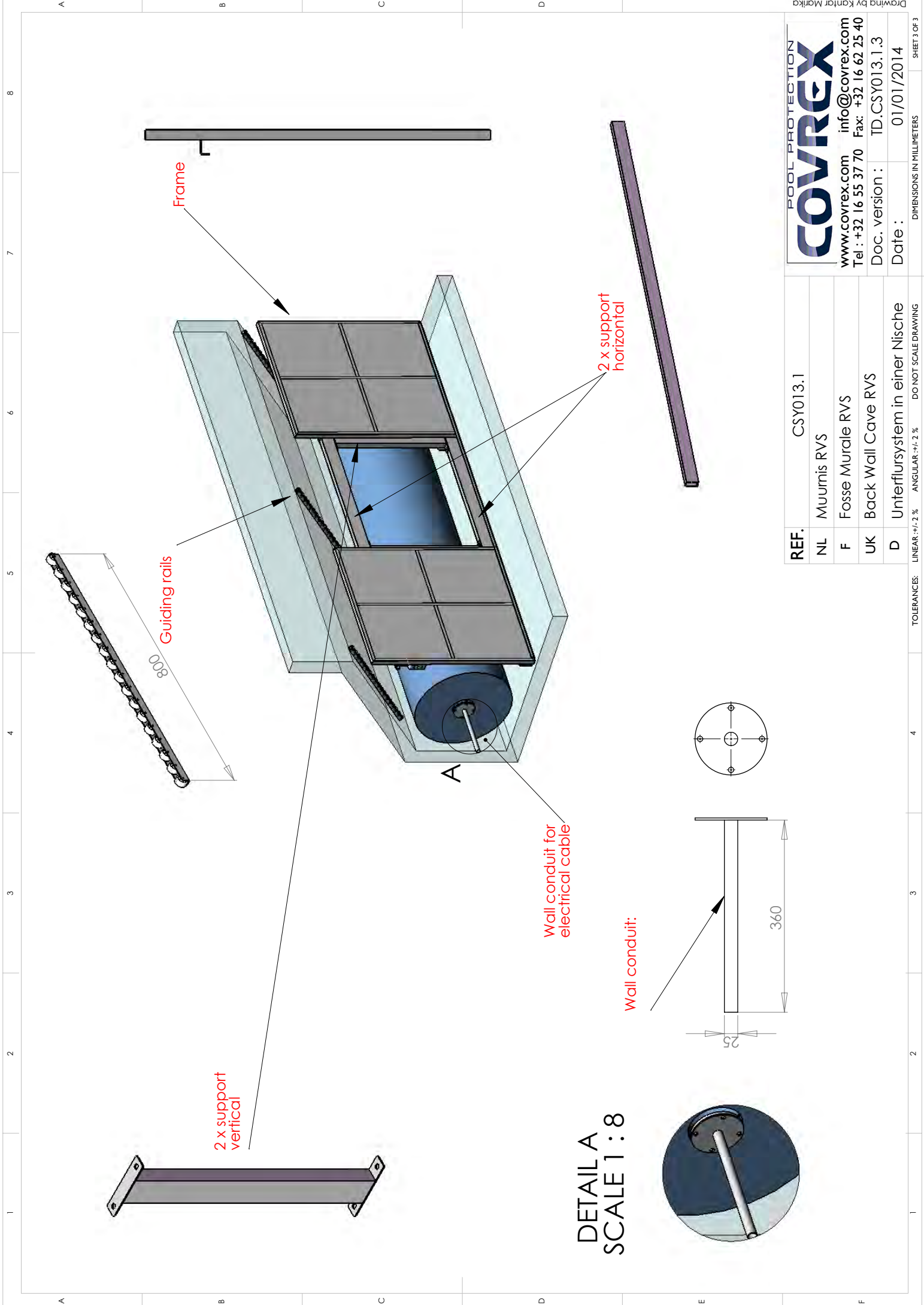
TOLERANCES: LINEAR: +/- 2 % ANGULAR: +/- 2 % DO NOT SCALE DRAWING

4

3

2

1



DETAIL A
SCALE 1 : 8

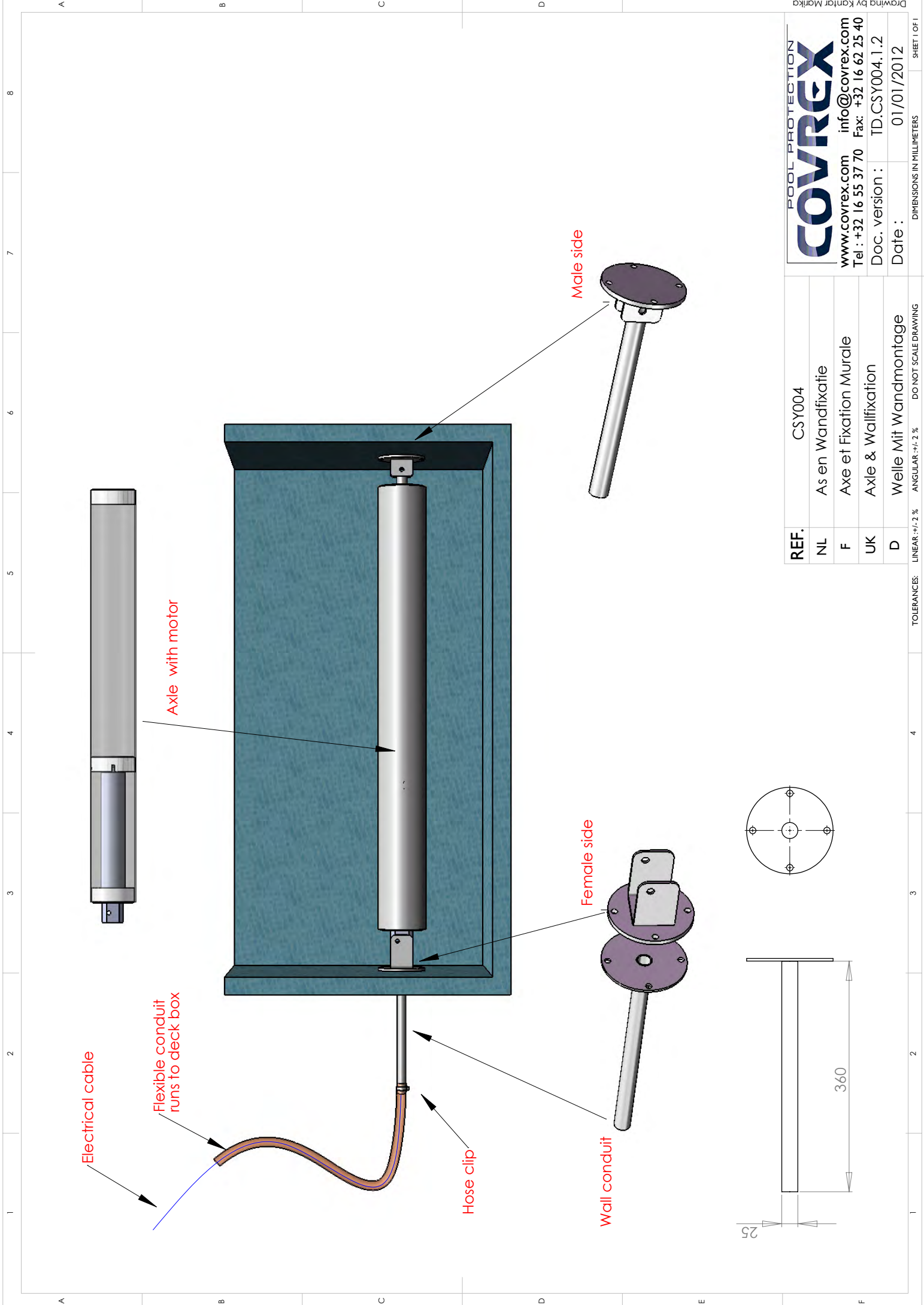
POOL PROTECTION
COVREX
www.covrex.com info@covrex.com
Tel : +32 16 55 37 70 Fax: +32 16 62 25 40
Doc. version : TD.CSY013.1.3
Date : 01/01/2014

REF.	CSY013.1
NL	Muurnis RVS
F	Fosse Murale RVS
UK	Back Wall Cave RVS
D	Unterflursystem in einer Nische

TOLERANCES:	LINEAR: ± 0.2 %	ANGULAR: ± 0.2 %	DO NOT SCALE DRAWING
DIMENSIONS IN MILLIMETERS			
SHEET 3 OF 3			

Single Axles

Name & reference	Axle & Wall Fixation CSY004	Axle with Side Plates CSY004.2
Variants	Single version	Single version
Advantages	<ul style="list-style-type: none">→ Easy to install in all situations and positions→ Can be used with the pool builder's own casing or pool configuration→ Cost efficient	<ul style="list-style-type: none">→ No drilling in the walls→ Cost efficient→ Cable is guided to the surface with a cable protection plate
Specifications	Axle depth Max pool length Drilling in the walls Compatible with round corners Use with liner pools	51 cm unlimited no yes yes
Options	Wall conduit (cable goes through the wall) Cable protection (cables goes up to the surface) Thermopack	no yes (standard integrated) available

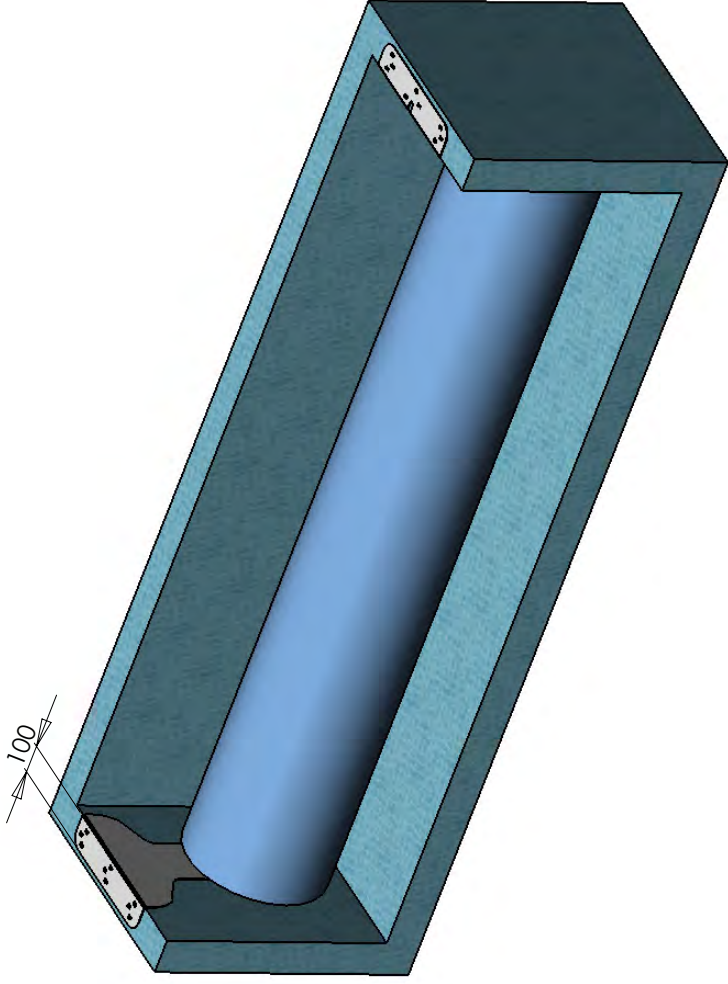
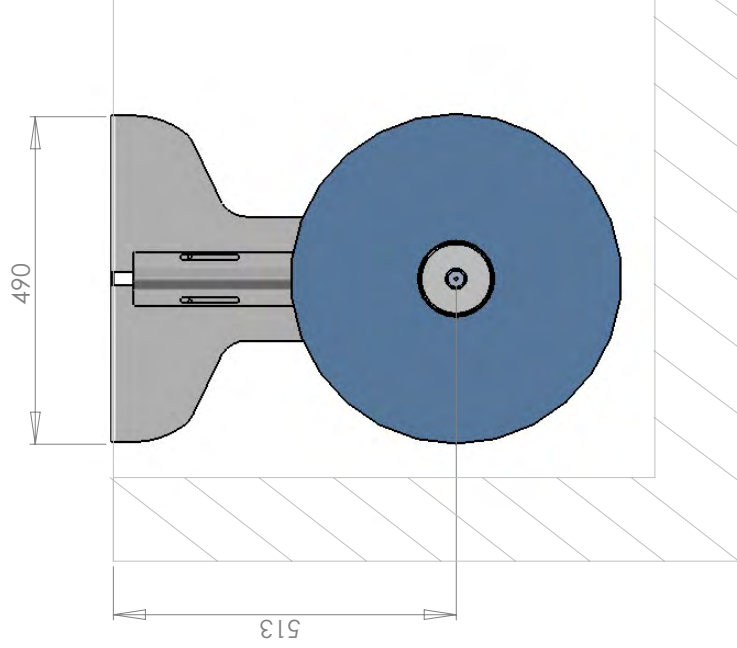


REF.	CSY004
NL	As en Wandfixatie
F	Axe et Fixation Murale
UK	Axle & Wallfixation
D	Welle Mit Wandmontage

TOLERANCES: LINEAR: +/- 2 % ANGULAR: +/- 2 % DO NOT SCALE DRAWING

DIMENSIONS IN MILLIMETERS SHEET 1 OF 1

Max. pool length
 Max. badlengte
 Longueur max. piscine




REF.	CSY004.2
NL	As met zijplaat
F	Axe et flasques murales
UK	Roller with wall fixing plates
D	Welle mit horizontaler Befestigung

POOL PROTECTION
COVREX
 www.covrex.com info@covrex.com
 Tel : +32 16 55 37 70 Fax : +32 16 62 25 40
 Doc. version : TD.CSY004.2.0
 Date : 01/01/2015



REF.	CSY004.2
NL	As met zijplaat
F	Axe et flasques murales
UK	Roller with wall fixing plates
D	Welle mit horizontaler Befestigung

<p>POOL PROTECTION </p> <p>www.covrex.com info@covrex.com Tel : +32 16 55 37 70 Fax: +32 16 62 25 40 Doc. version : TD.CSY004.2.0 Date : 01/01/2015</p>	
TOLERANCES:	LINEAR: +/- 2 % ANGULAR: +/- 2 % DO NOT SCALE DRAWING